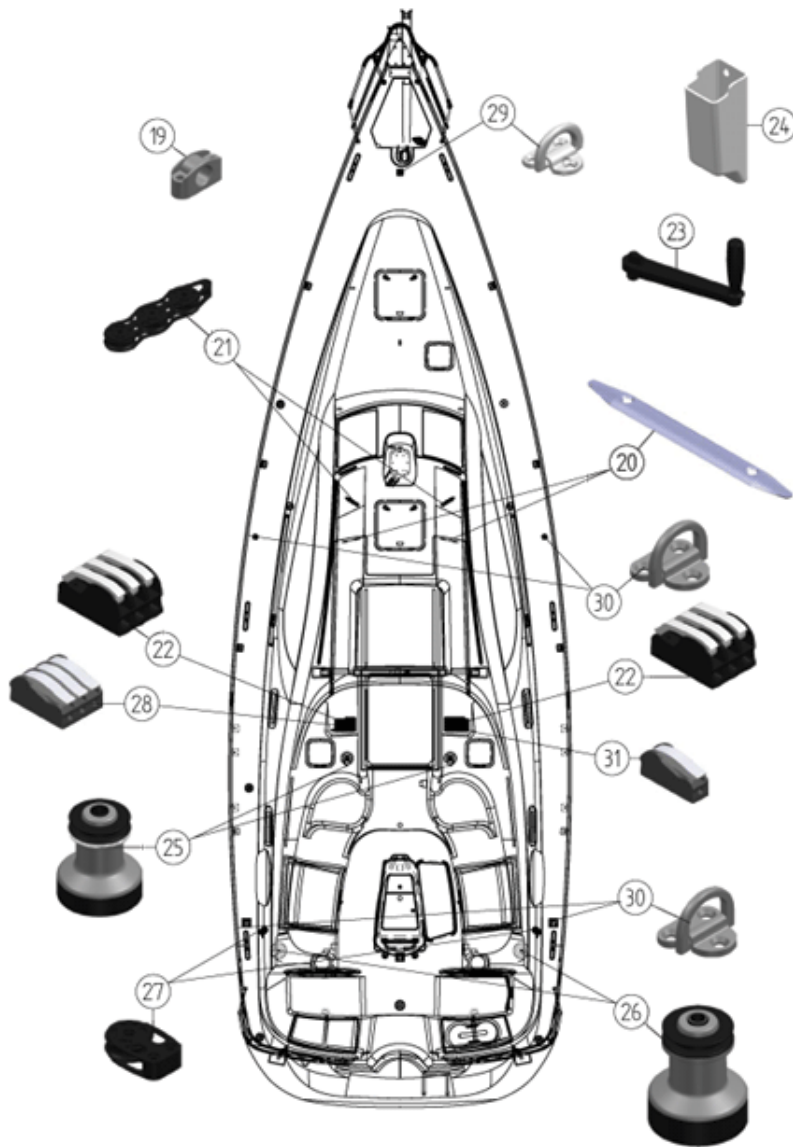
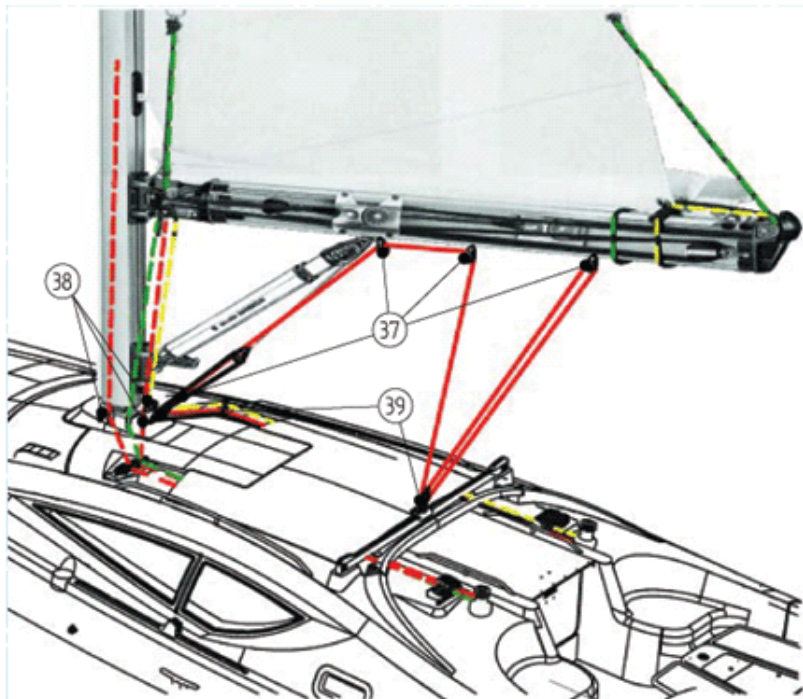


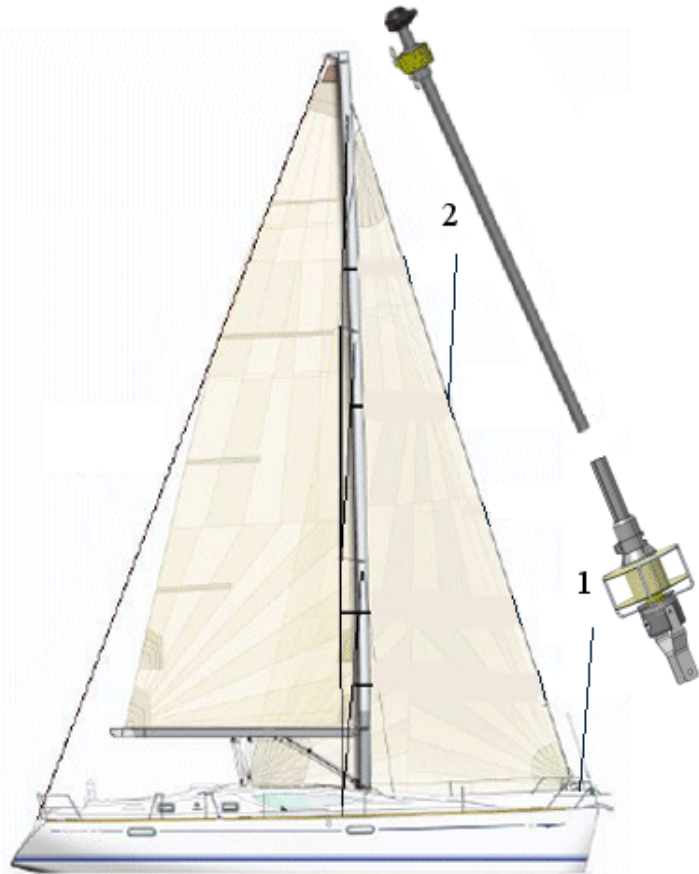
No.	SO42D00010a	Price ex VAT	
15	MAIN TRACK SET HARKEN SO54D H156-1,85	€ 252,00	
16	EMB.RAIL GV HARKEN H6088	€ 350,00	
17	CHARIOT H3163+REA6090	€ 262,55	
18	CHEEK BLOCK HARKEN 2644	€ 106,00	
32	RAIL FOC H3086 NOIR 1,5ML PERC	€ 71,81	
33	TRACK FITTING	€ 1,96	
34	SHEET SLIDER T32 ESP TRI-ROLLERS	€ 135,30	
35	S/S RING D16	€ 11,88	



No.	SO42D00010b	Price ex VAT	
19	S/S RING D16	€ 11,88	
20	PROTECTION ANTI-RAGUAGE	€ 8,14	
21	CHEEK BLOCK 2X3 ALU SHEAVES D57	€ 157,50	
22	BLOQUEUR TRIPLE R1000KG 8-14NM	€ 393,65	
23	Winschkurbel	€ 57,75	
24	Winschkurbel Halterung	€ 13,95	
25	HARKEN WINCH 40.2 STA	€ 902,00	
26	HARKEN WINCH 46.2 STA	€ 1.644,55	
27	SINGLE TURNING BLOCK ESP57MM AL.3FIX.	€ 63,00	
28	BLOQUEUR TRIPLE R 450KG 6-12NM	€ 167,97	
29	ARTICULATED CHAINPLATE D 6 BREAK.2700KG	€ 20,63	
30	ARTICULATED CHAINPLATE D 8 BREAK.4500KG	€ 27,48	
31	STOPPER XA1 BLACK AUTOM.SINGLE NM	€ 60,90	



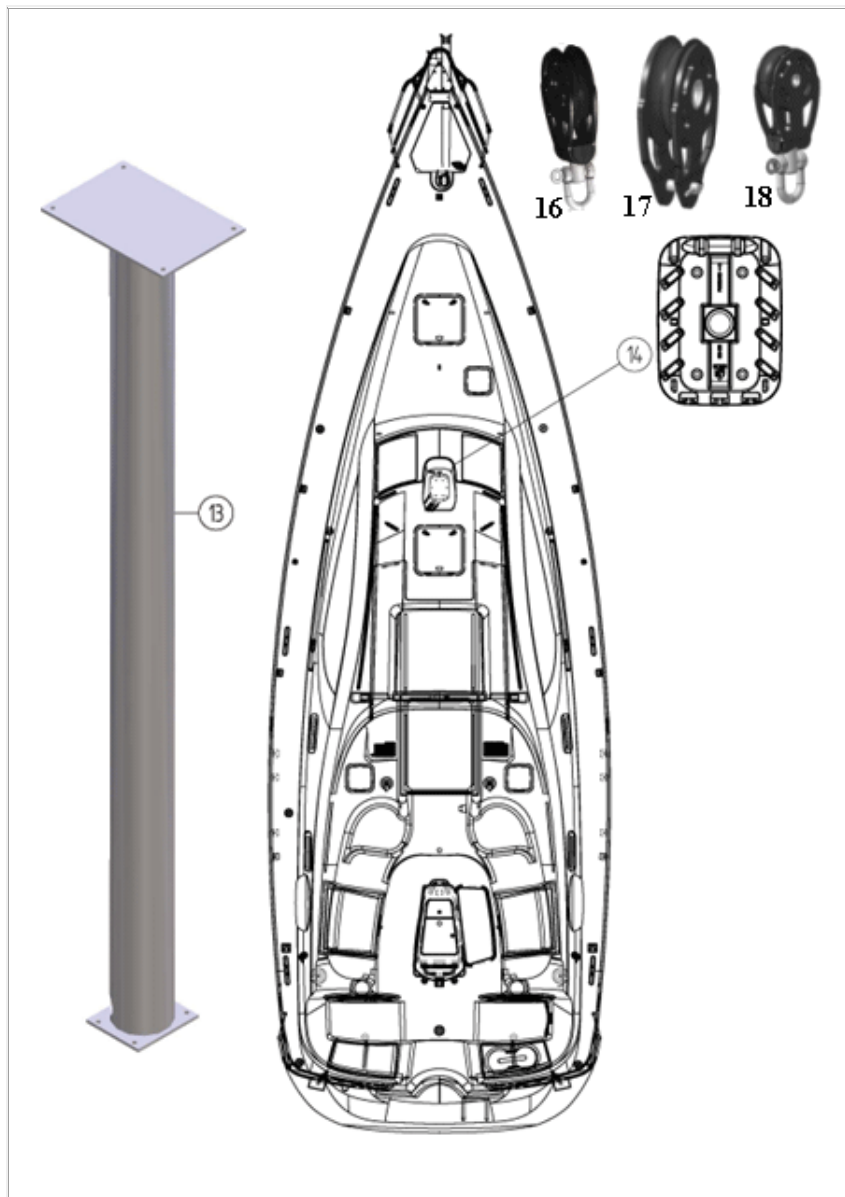
No.	SO42D00010c	Price ex VAT	
37	SINGLE BLOCK W/SWIVEL ESP75MM	€ 86,27	
38	HARKEN SINGLE SWIVEL BLOCK 166	€ 66,50	
39	POULIE SIMP.EMERIL.ESP75MMRING	€ 81,25	



No.		Price ex VAT	
1	FURLER DRUM KIT LS 180 8/13/150	€525,91	
2	GENOA FURLING TUBE SX39 15.4/15.8	€362,21	

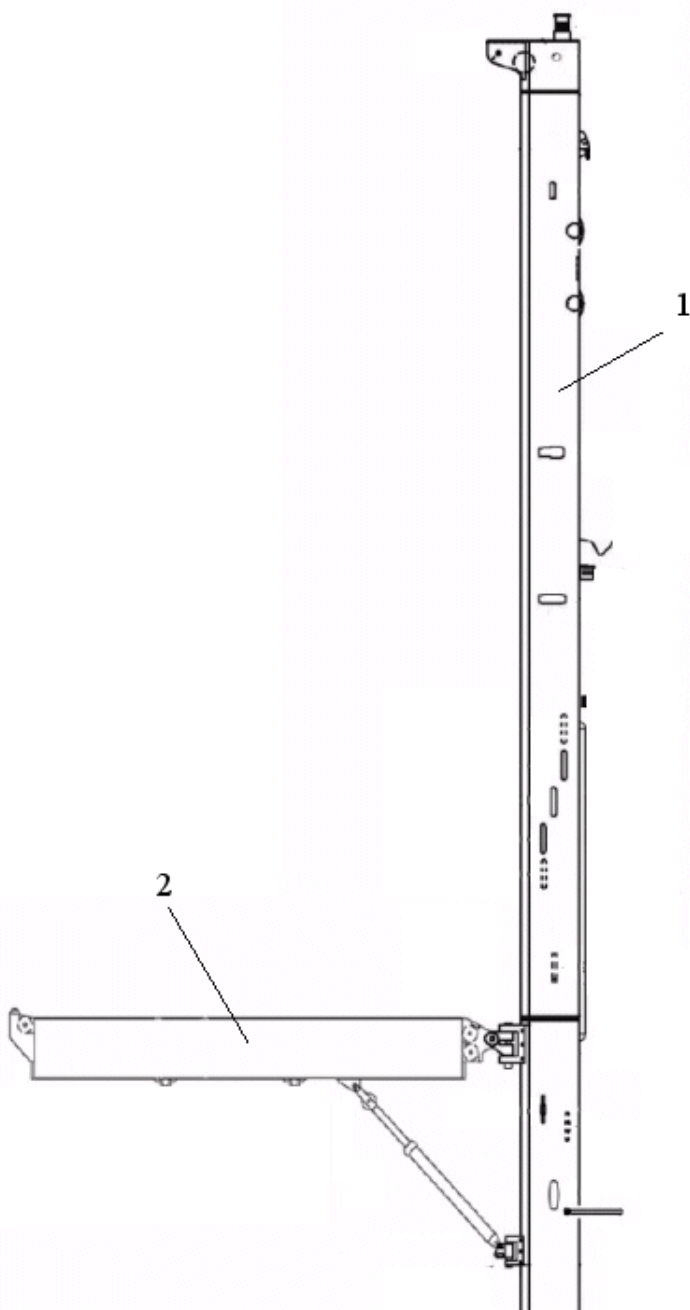
No.	SO42D00011a	Price ex VAT	
1	CADENE GALHAUB.SO42/42D V1	€ 127,91	
2	AGAINST PLATE OF CADENE OF GALHAUBAN	€ 22,88	
3	CADENE BASHAUB.D1 SO42/42D	€ 67,84	
4	AGAINST CHAINPLATE	€ 54,43	
5	VIS METAUX IN.A4 TFHC M12X 45	€ 2,96	
6	S/S LOCKING NUT DIA 12	€ 0,64	
7	S/S WASHER A4 D12X40 LL	€ 1,30	
8	CHAINPLATE ETAI	€ 85,77	
9	TIRANT CAD M18 L800 D1	€ 86,95	
10	STEMBALL END THREADED CABLE D10MM	€ 28,87	
11	TURNBUCKLE N°2 M18	€ 40,49	
12	CHAPE / ROND D25 ENS. TIRANT	€ 63,16	


ens grément dormant - 15

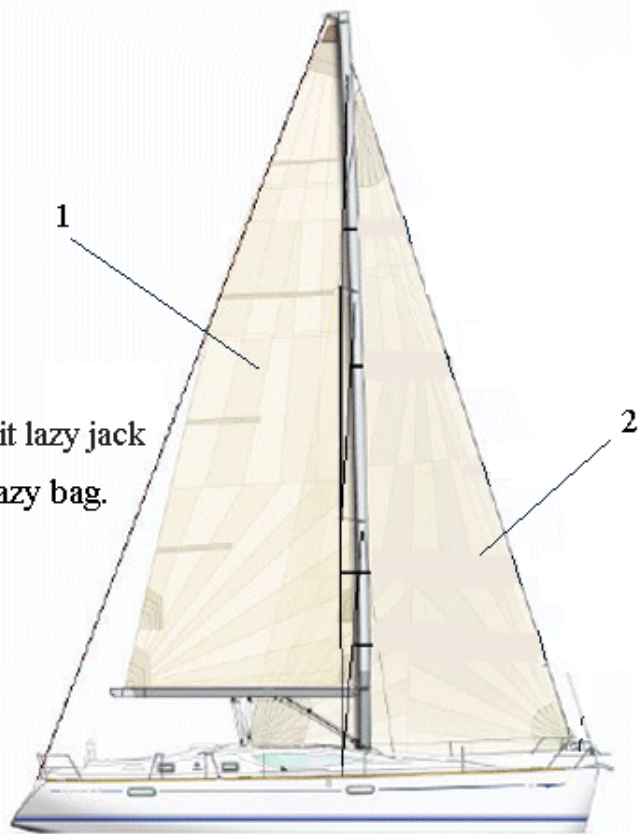


No.		Price ex VAT	
13	EPONTILLE MAT SO42D	€ 899,24	
14	MAST STEP SO36-38-SO42/39DS-42DS	€ 194,14	
16	SINGLE BLOCK W/SWIVEL ESP75MM	€ 86,27	
17	SINGLE BLOCK W/TOGGLE ESP75MM	€ 45,50	
18	HARKEN SINGLE SWIVEL BLOCK 166	€ 66,50	





MÂT CLASSIQUE

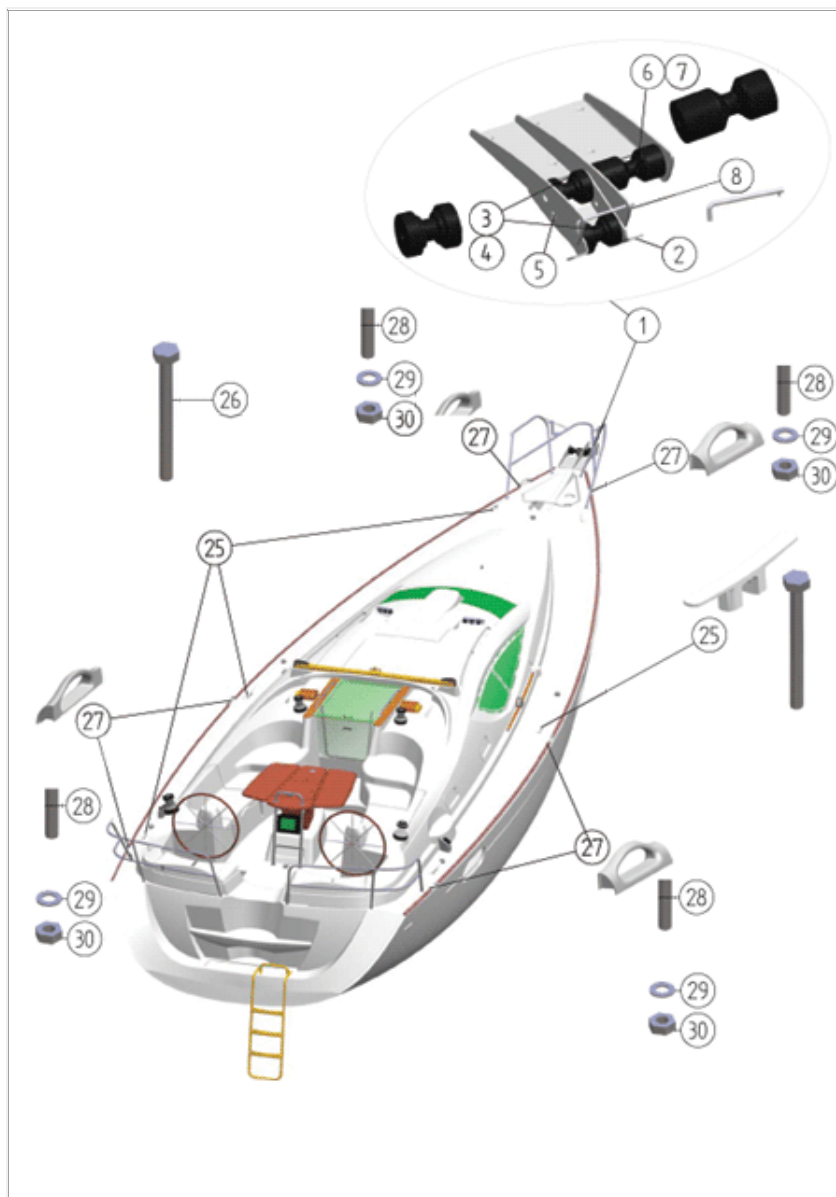


No.		Price ex VAT	
1	CLASS MAST SO42/42DS	€ 4.489,73	
2	BOOM SO42/42D	€ 1.797,60	

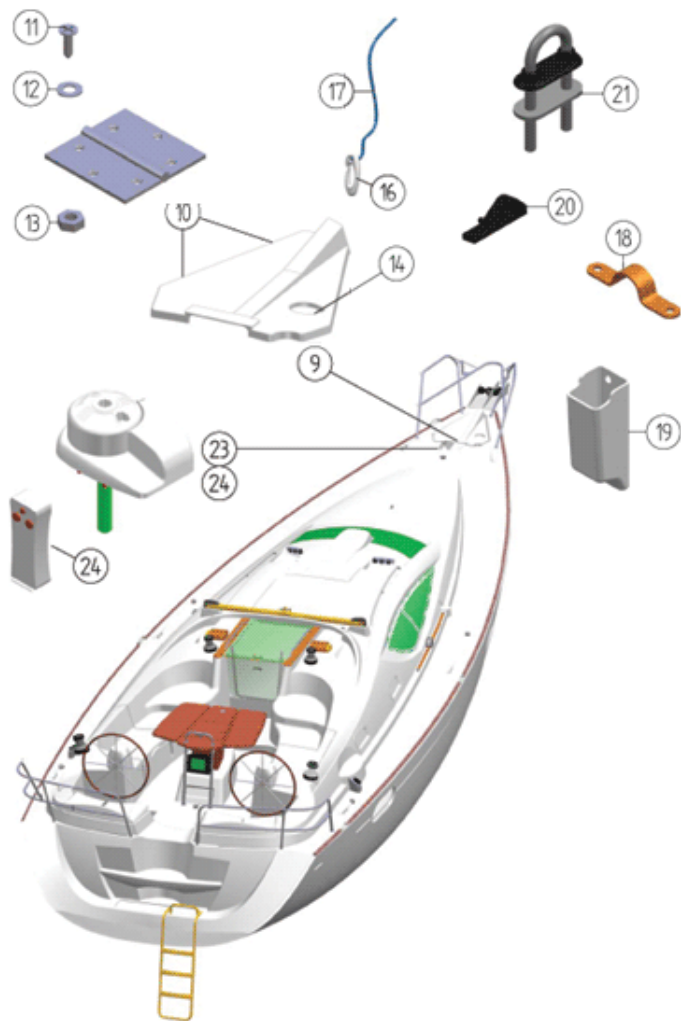


4 - kit lazy jack
3- Lazy bag.

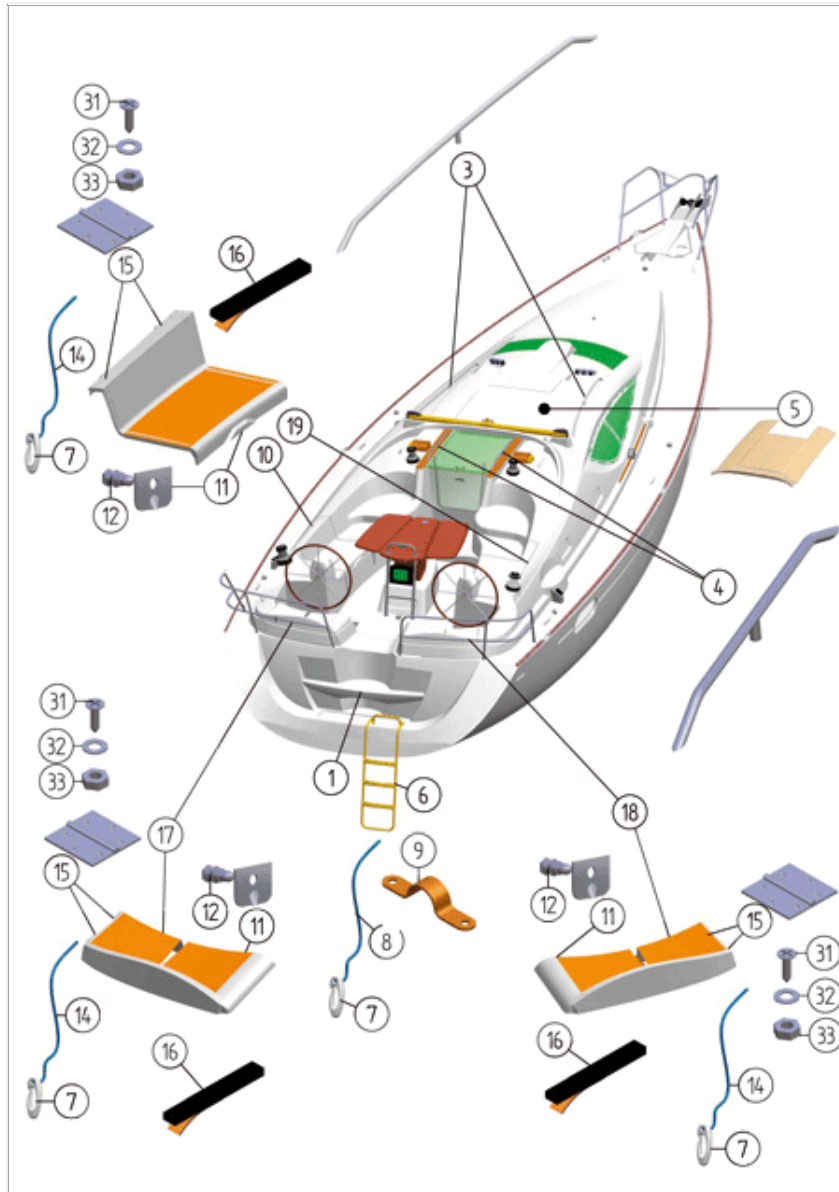
No.	SO42D00014a	Price ex VAT	
1	MAINSAIL SO42/42DS CLASS.MAST	€ 2.308,79	
2	GENOA SO42/42DS FURL.	€ 2.089,71	
3	LAZY BAG SO39/42 C.NAV.BLEU	€ 562,87	
4	KIT LAZY JACK 35' 3 POINTS	€ 53,55	



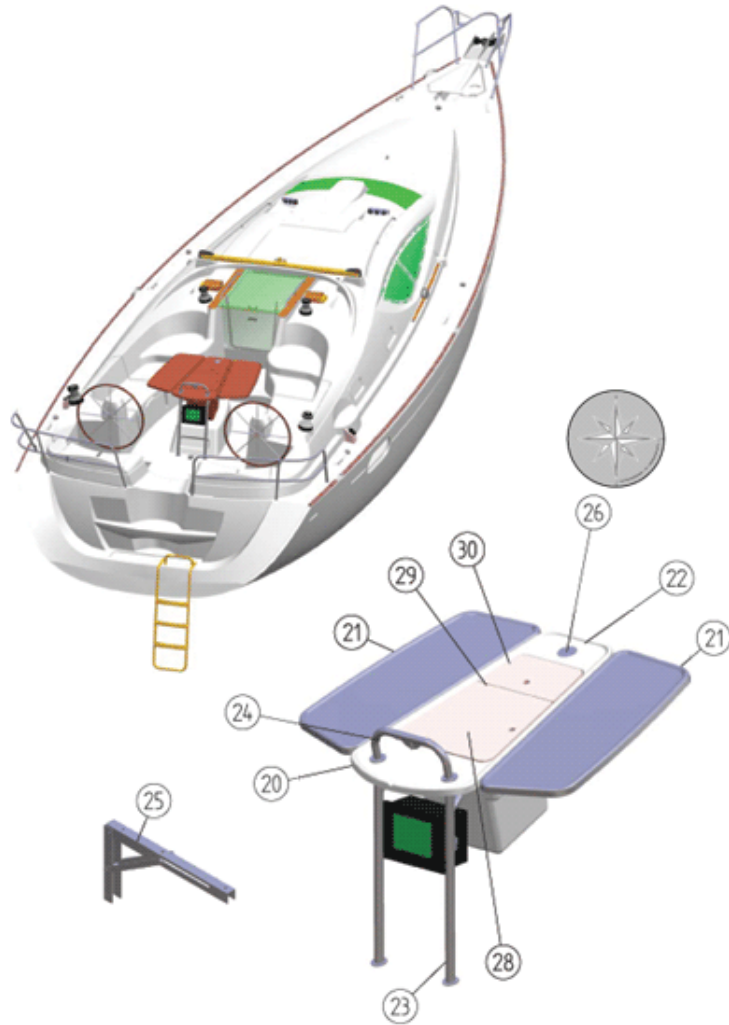
No.	SO42D00020a	Price ex VAT	
1	STEM FITTING DC1	€ 776,42	
2	ROCKING DAVIT DC1	€ 195,12	
3	BOW ROLLER L=98 D80 SO48	€ 37,07	
4	ENTRET.IN.D.17,2X2,3 L100 SO49	€ 15,15	
5	ENTRET.IN.D.17,2X2,3 L53 SO49	€ 20,15	
6	BOW ROLLER L=174 D80 SO42D	€ 60,00	
7	S/S SPACER D17,2X2,3 L176 SO42D	€ 26,58	
8	AXE RETENUE CHAINE L150 D8	€ 13,20	
25	UNCOLOURED ALU MOORING CL	€ 34,31	
26	S/S METRIC SCREW HEXH 10X40 FE	€ 1,13	
27	CHAUM.IN.FERME L200 DC1	€ 52,17	
28	BOUT FILETE IN.10X 70	€ 2,76	
29	S/S WASHER DIA 10X36 VERY LARGE	€ 0,84	
30	S.STEEL HEX NUT DIA 10	€ 0,40	



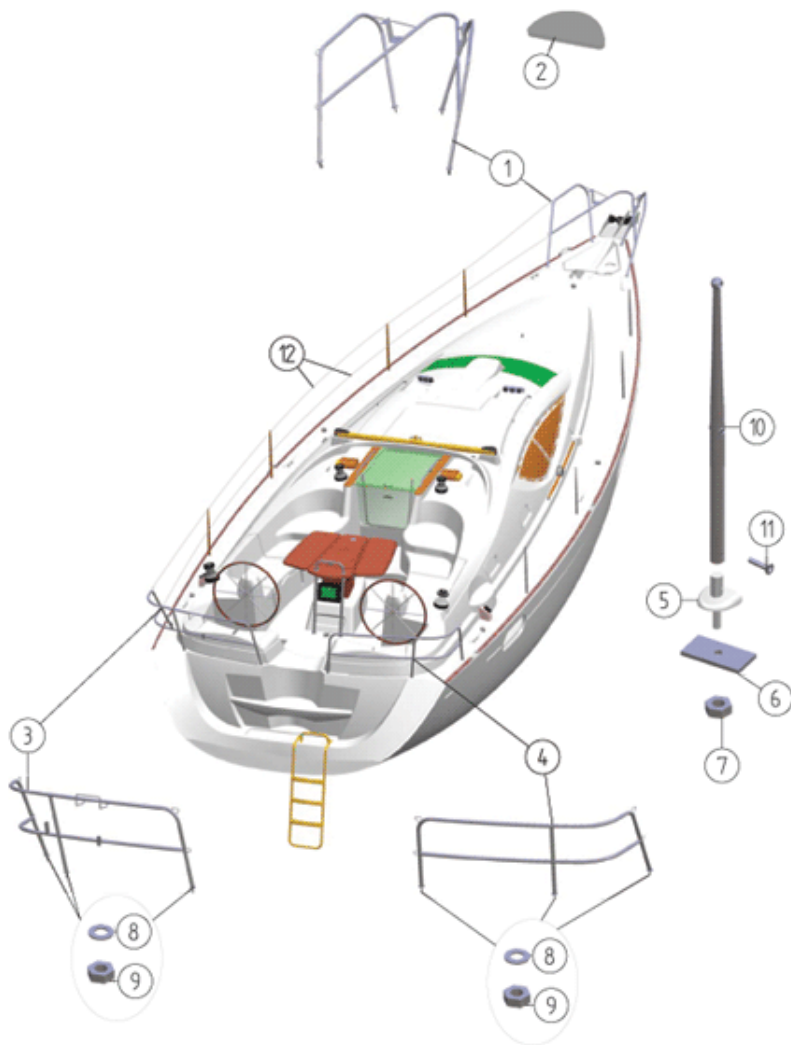
No.	SO42D00020b	Price ex VAT	
9	CAPOT PR P.CHAINES SO42D	€ 72,46	
10	HINGE LK 80X60	€ 10,40	
11	S/S METRIC SCREW FH 4X15	€ 0,11	
12	S/S WASHER DIA 4	€ 0,02	
13	S/S LOCKING NUT DIA 4	€ 0,06	
14	STAINL ST SPRING LATCH	€ 40,88	
15	HATCH STRIKE	€ 35,24	
16	PLASTIC HOOK BLACK	€ 0,90	
17	TEMPEST BLUE LINE LA 5-2100	€ 6,01	
18	S/S PAD-EYE 113X25	€ 1,15	
19	CRANK HANDLE BOX W H P	€ 13,95	
20	BLACK SPI HOOK	€ 1,23	
21	U-BOLTS & PADEYES WATERTIGHT D8 A36 C60	€ 9,43	
22	STAINL STEEL DEFLECTOR	€ 4,57	
23a	WINDLASS SHAIN WHEEL	€ 184,02	
23b	EL.WINDLASS 12V 1000W QUICK C10 SS POU	€ 1.191,80	
24	REMOTE CONTROL	€ 91,81	



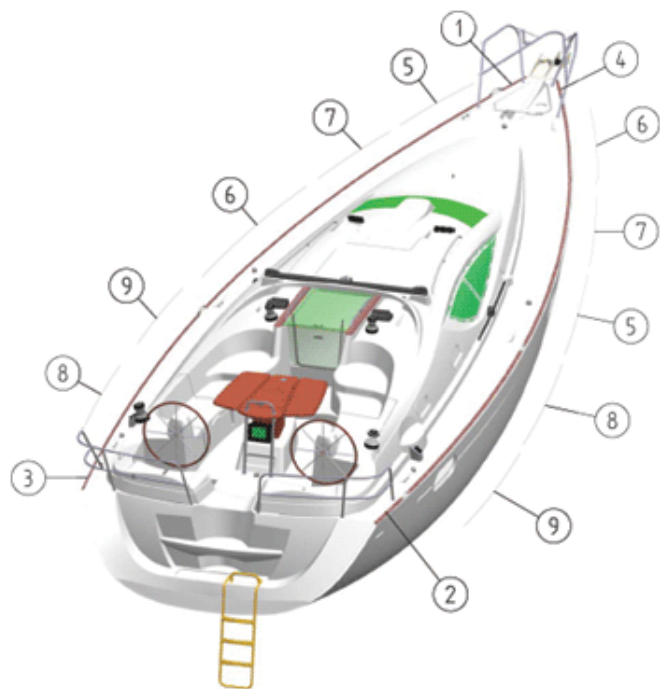
No.	SO42D00021a	Price ex VAT	
1	MARCHE PR TABLEAU AR SO42D	€ 44,54	
2	HELMSMAN PLACE S/S PROTECTION	€ 35,39	
3	MAIN COUR.SO54D IN.ROOF	€ 190,60	
4	MAIN COUR.SO54D IN.COCKPIT	€ 69,72	
5	CACHE PR DRISSE SO42D	€ 218,86	
6	LADDER DC1	€ 178,03	
7	PLASTIC HOOK BLACK	€ 0,90	
8	SANDOW	€ 1,69	
9	S/S PAD-EYE 113X25	€ 1,15	
10	CAPOT PR COCK SO42D BD	€ 78,09	
11	BILGE LOCKER CHR.PLATED BRASS BOLT LATCH	€ 4,37	
12	BILGE LOCKER LATCH + HOLE NM	€ 10,85	
14	TEMPEST BLUE LINE LA 5-2100	€ 6,01	
15	CHROM.BRASS HINGE 80X80	€ 16,10	
16	RUBBER OMEGA PROFILE STICKY 11X18	€ 5,94	
17	CAPOT PR BARREUR SO42D BD	€ 52,25	
18	CAPOT PR BARREUR SO42D TD	€ 52,25	
19	CAPOT PR COCK SO42D TD	€ 78,09	
31	S/S METRIC SCREW FH 4X15	€ 0,11	
32	S/S WASHER DIA 4	€ 0,02	
33	S/S LOCKING NUT DIA 4	€ 0,06	












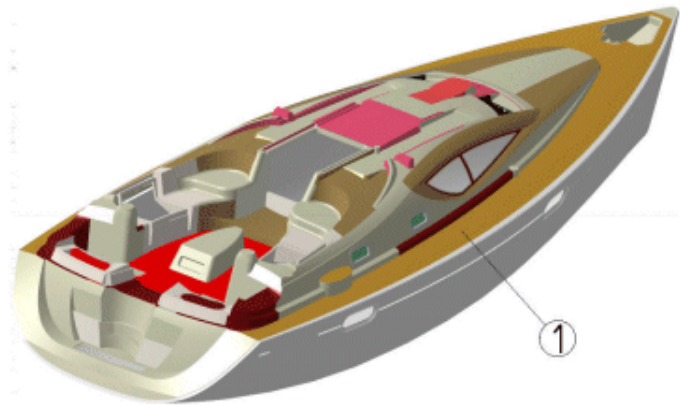
No.	SO42D00021b	Price ex VAT	
20	POLYESTER COCKPIT TABLE SO42D	€ 530,53	
21	POLYESTER COCKPIT TABLE SO42D PORT LEAF	€ 232,16	
22	S/S TABLE STAND	€ 54,73	
23	S/S TABLE STAND	€ 94,93	
24	MAIN COUR.IN.T/COCK SO DC1 ECL	€ 73,58	
25		<i>by request</i>	
26	RONDELLE MAT + ETOILE POLIE	€ 33,79	
27	BTE GANTS 150X200 ABS	€ 48,57	
28	SO39 DC1	<i>by request</i>	
29	SO39 DC1	<i>by request</i>	
30	WP 42DS CAAV FOND RANGE PAC	<i>by request</i>	



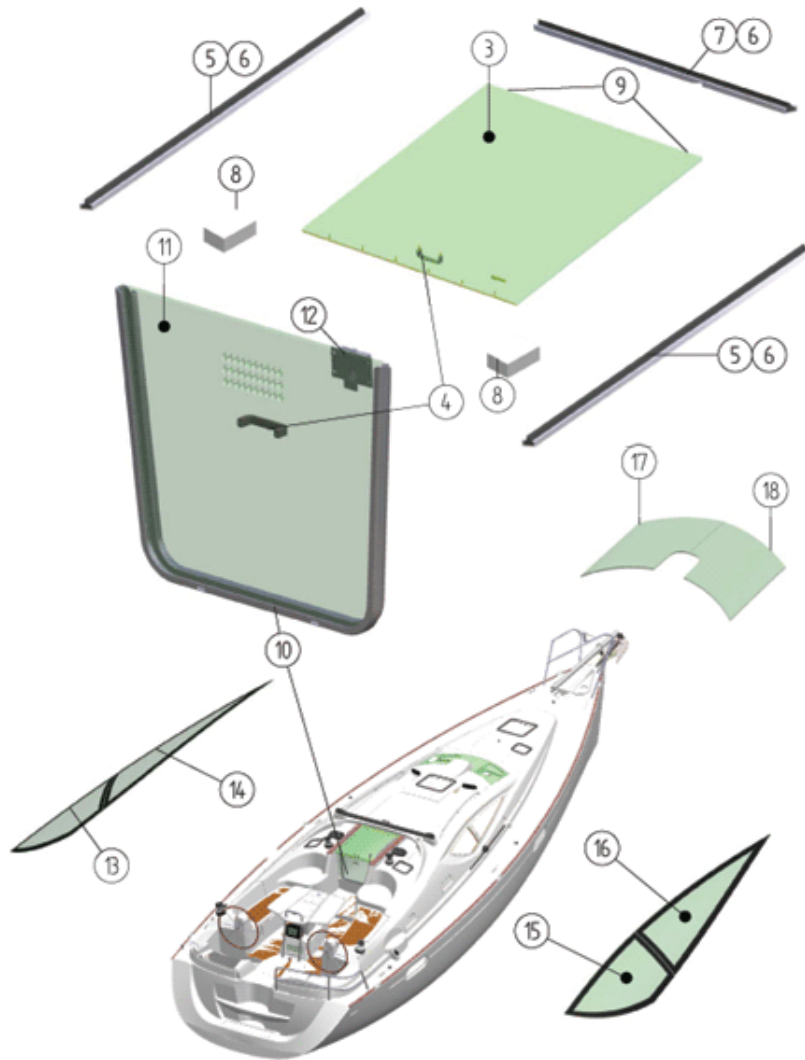
No.	SO42D00022a	Price ex VAT	
1	BALCON DC1 AV OUVERT	€ 447,99	
2	MARCHE BALCON OUVERT 293*135	€ 17,40	
3	SO42D PORTSIDE PUSHPIT	€ 290,97	
4	SO42D STARBOARD PUSHPIT	€ 274,33	
5	S/S STANCHION BASE D25 NM	€ 15,15	
6	STANCHION PLATE 160X60X8	€ 13,59	
7	STAINL ST SPRING ACTION	€ 1,48	
8	STAINL.ST WASHER	€ 3,08	
9	S.STEEL HEX NUT DIA 10	€ 0,40	
10	STANCHION L610 D22 N°3	€ 30,40	
11	S/S METRIC SCREW HEX SOCKET HEAD 6X16	€ 0,32	
12	LIFELINES SO42DS COVERED	€ 376,45	



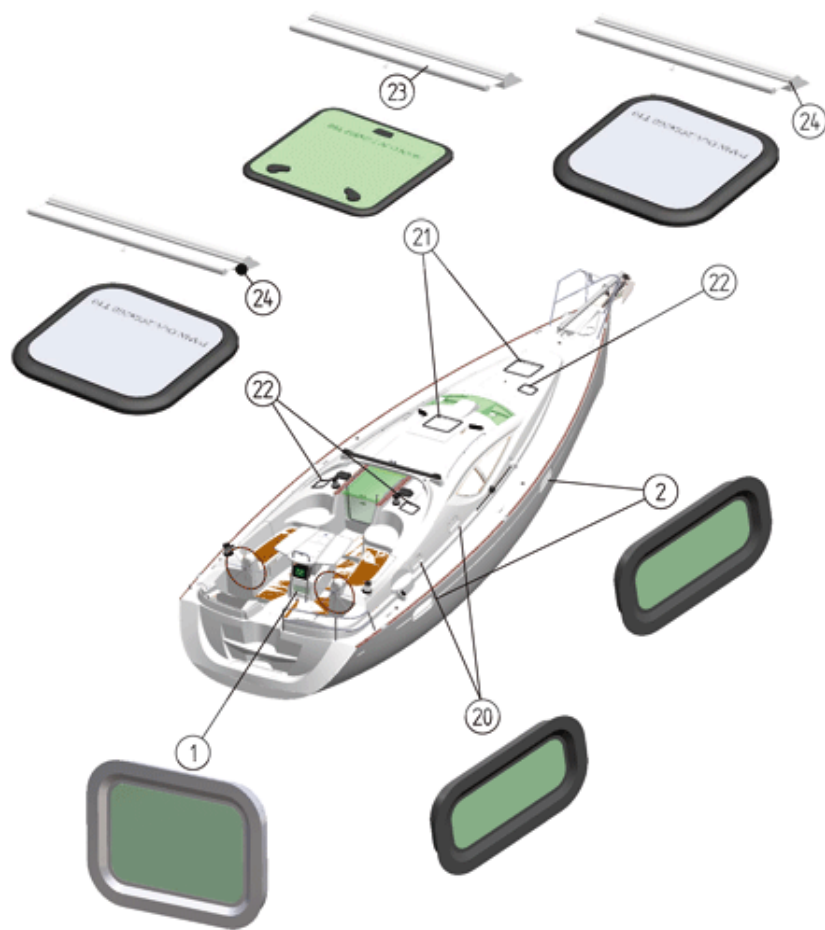
No.		Price ex VAT	
1	SO42D DC1	€ 24,12	
2	SO42D DC1	€ 31,53	
3	WM DC1 RAIL FARGUE PAV AR BD	€ 31,53	
4	WM DC1 RAIL FARGUE PAV AV TD	€ 24,12	
5	SO42D DC1	€ 69,86	
6	SO42D DC1	€ 69,86	
7	SO42D DC1	€ 69,86	
8	SO42D DC1	€ 55,47	
9	WM DC1 RAIL FARGUE PAVOIS	€ 55,47	



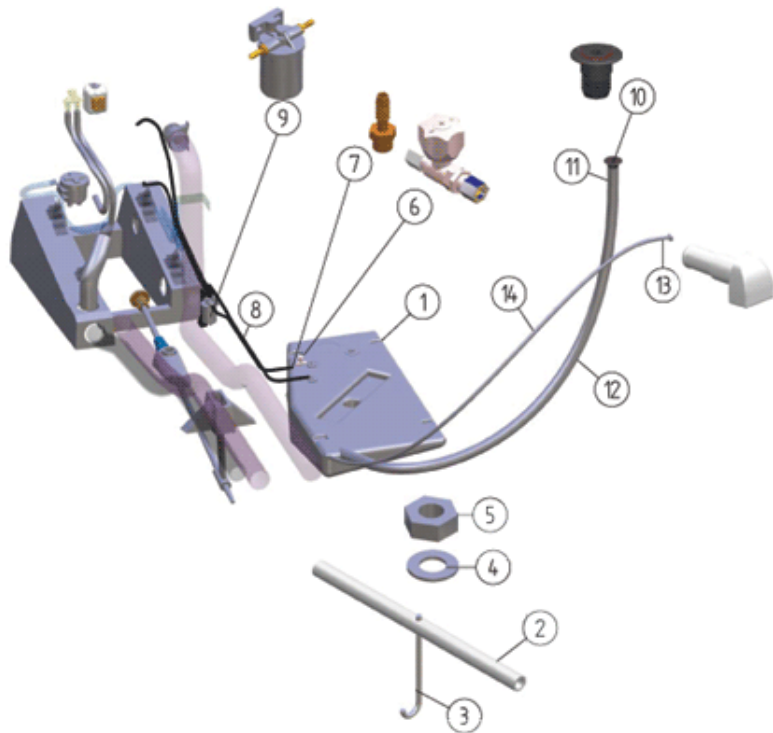
No.	SO42D00025a	Price ex VAT	
1	TEAK DECK SLAT 41X8	€ 9,90	



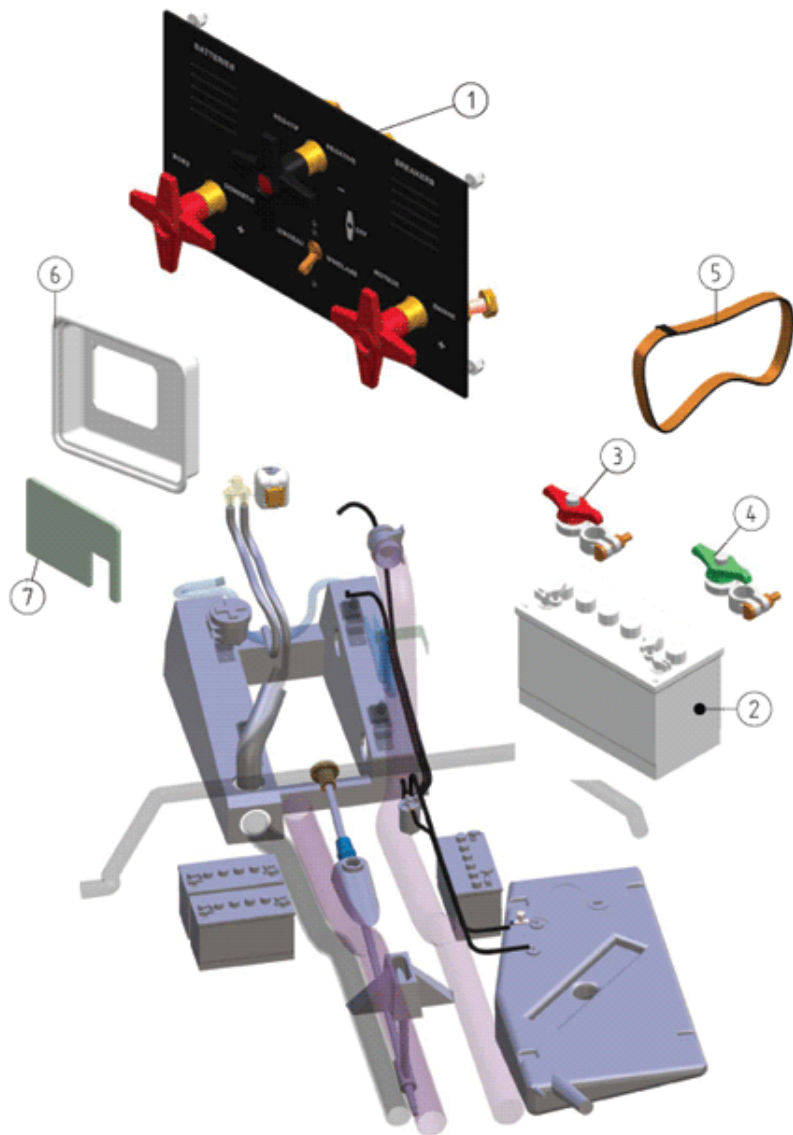
No.		Price ex VAT	
3	CAPOT COUL.SO42D PLEXI	€ 374,73	
4	BLACK HANDLE	€ 5,25	
5	PROF.ALU LECHEUR L=870MM	€ 12,27	
6	RUBBER T-PIECE	€ 2,00	
7	PROFIL AL.LECHEUR L845	€ 3,26	
8	CALE DELR.50X30 ASS.BARR.SO32	€ 14,38	
9	STOPPER PAD D24 WHITE	€ 1,10	
10	CADRE AL.ENTREE ROOF SO42D	€ 125,04	
11	FRONT DOOR	€ 134,07	
12	S/S LOCK COMPANIONWAY AM	€ 58,45	
13	GLASS ROOF	€ 281,47	
14	WINDOW	€ 280,96	
15	GLASS ROOF	€ 281,47	
16	WINDOW	€ 280,96	
17	VITRAGE SO42DS FRONTAL BABORD	€ 400,68	
18	VITRAGE SO42DS FRONTAL TRIB	€ 400,68	



No.	SO42D00030b	Price ex VAT	
1	HUB.R34CA 347X251 RE-VE-AN-B	€ 126,39	
2	PORTLIGHT CQ60 600X175	€ 126,39	
20	HUB.R34 347X171 RE-VE-AN-B	€ 141,41	
21	OPENING DECK HATCH 507X507 T60-3	€ 250,34	
22	OPEN.HATCH 260X260 T10-1 GLEW	€ 127,47	
23	STORE MIXTE/CADRE PANN.T60 H28	€ 162,08	
24	STORE MIXTE/CADRE PANN.T10 H50	€ 106,17	

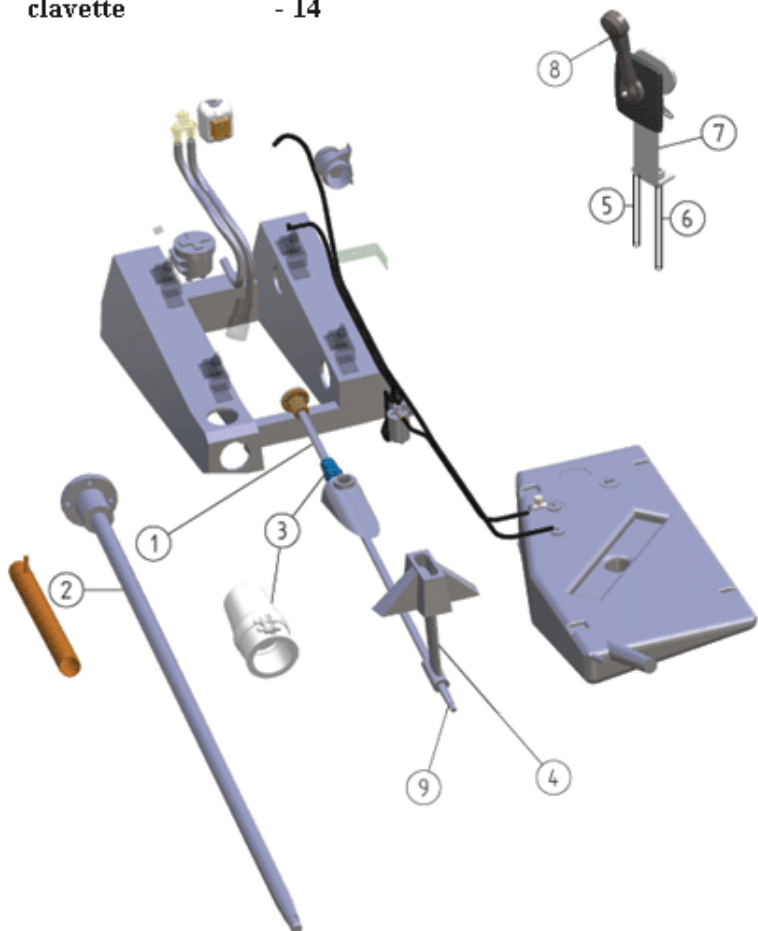


No.	SO42D00040a	Price ex VAT	
1	ROTOMOLDED FUEL TANK 130L 14364	€ 529,19	
2	ALU TUBE D30X4 L480 +HOLE D12	€ 11,55	
3	TANK TIE ROD L210	€ 27,04	
4	S/S WASHER DIA 10	€ 0,24	
5	S/S LOCKING NUT DIA 10	€ 0,40	
6	1/4 TURN TAP WO FIXING	€ 23,80	
7	SMOOTH RIBBET FITTING	€ 4,44	
8	FUEL LINE D8 ISO 7840 L 1.05	€ 8,03	
9	KIT*FILT. SS POMPE 14X150 D8	€ 58,81	
10	NYLON DECK FILLER CAP FOR G.O TANK	€ 21,32	
11	NEOPRENE SLEEVE	€ 0,85	
12	FUEL LINE D54 FILLING TANK L 2.75	€ 103,00	
13	PLASTIC VENT WHITE D15	€ 2,39	
14	FUEL LINE D16 ISO 7840 L 3.40	€ 29,54	

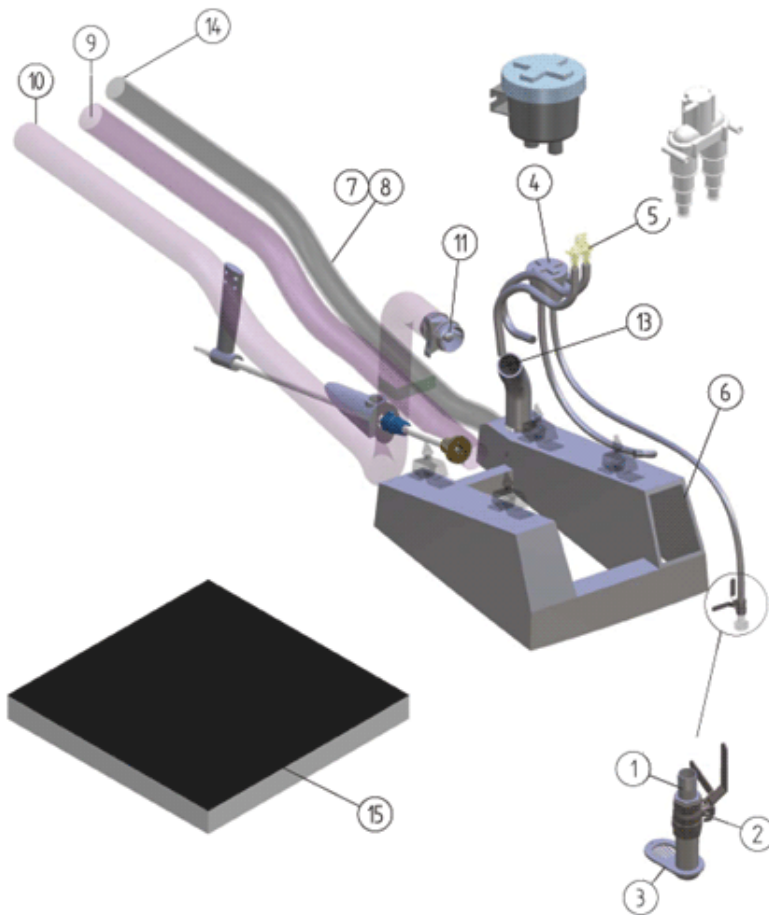


No.	SO42D00041a	Price ex VAT	
1	ALU ELECTRIC PANEL BATTERY BREAKER DC1	€ 294,97	
2	BATTERY 12V 110A	€ 167,47	
3	BATTERY TERMINAL FOCA 99+	€ 10,73	
4	BATTERY TERMINAL FOCA 99-	€ 10,72	
5	STRAP L 900	€ 17,07	
6	PLEXIGLAS DASHBOARD	€ 51,52	
7	PLEXI TABL.MOTEUR SO522/43 ABS	€ 55,20	

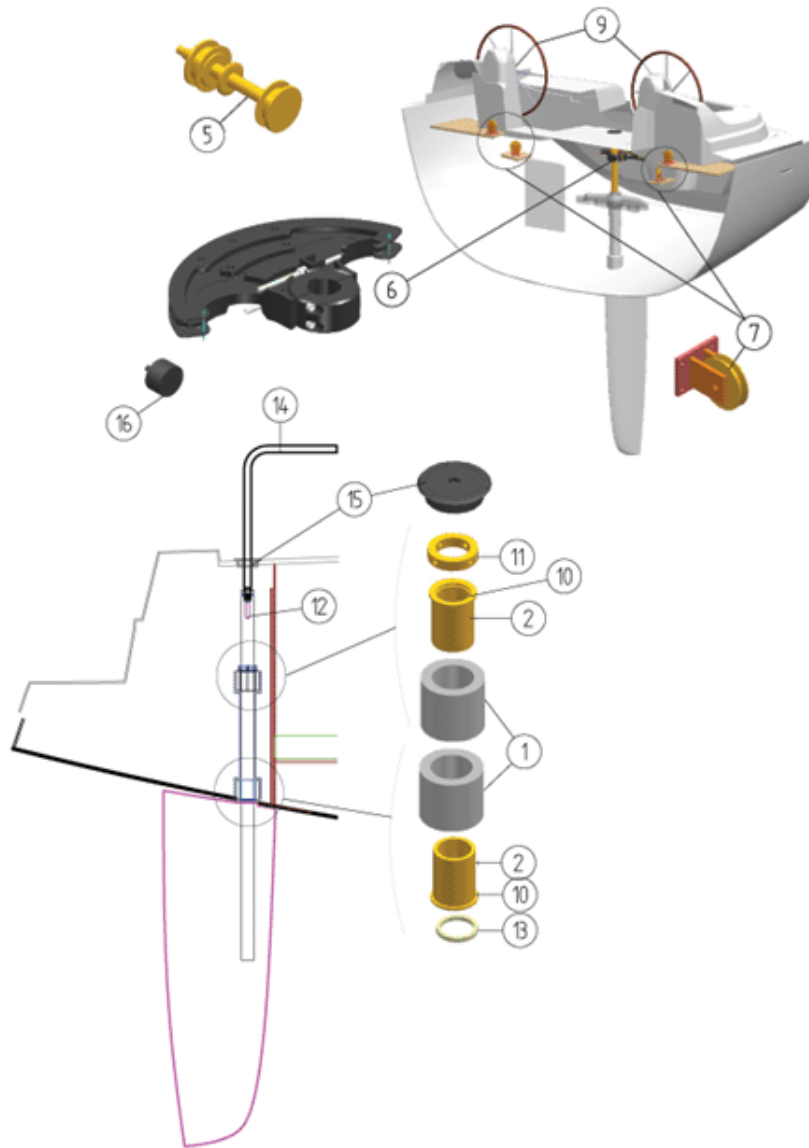
- coupe orin - 10
- anode ligne d'arbre - 11
- écrou d'anode - 12
- frein hélice - 12
- clavette - 14



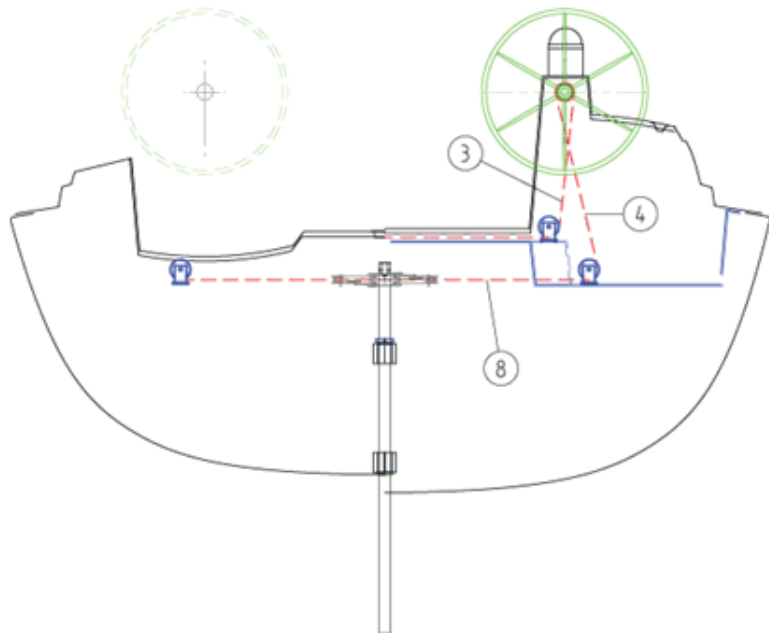
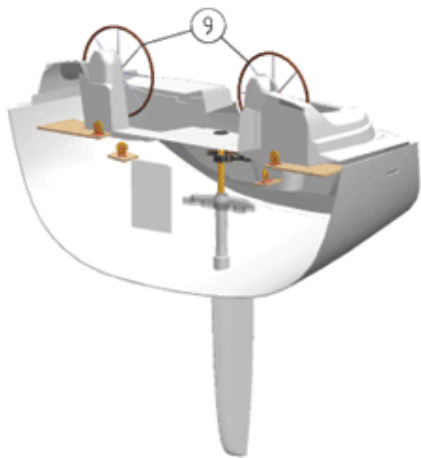
No.	SO42D00042a	Price ex VAT	
1	EQUIPED PROPELLER SHAFT D30 L1670	€ 517,67	
2	STERN TUBE 48,5X40X XXX	€ 57,55	
3	PACKING GLAND DIA 30	€ 70,35	
4	P-BRACKET D30	€ 614,70	
5	ENGINE CABLE	€ 33,60	
6	ENGINE CABLE	€ 36,27	
7	MECHANISM HANDLE LAT.SINGLE	€ 77,25	
8	LEVIER LAT.SIMPLE VOIL/CLOISON	€ 25,69	
9	3-BLADED PROPELLER 19X14 RH30 51% ZF	<i>by request</i>	
10	S/S ROPE CUTTER D30	€ 207,90	
11	PROPELLER SHAFT ANODE D30	€ 15,62	
12	ANODE NUT D30	€ 37,29	
13	STOP WASHER D30 PROPELLER	€ 3,70	
14	KEY PROPELLER SHAFT D30	€ 8,80	



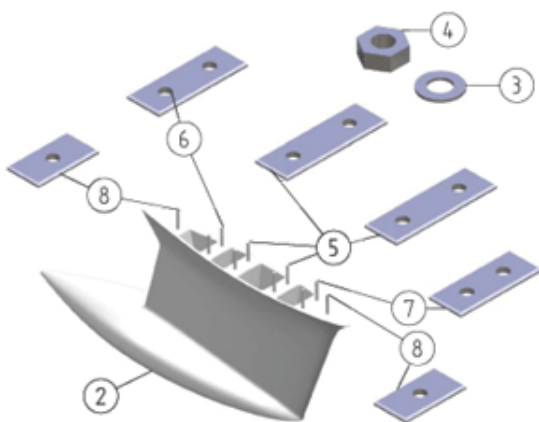
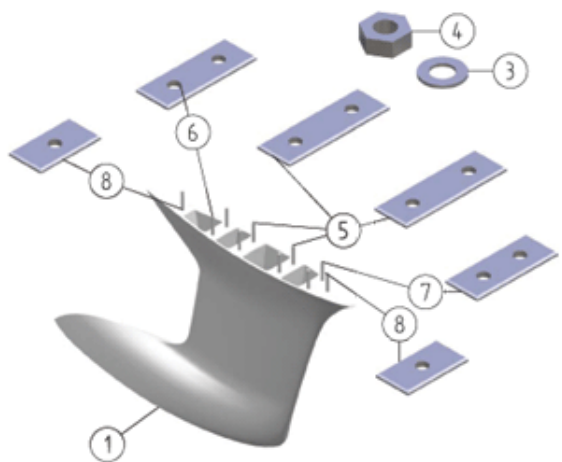
No.	SO42D00043a	Price ex VAT	
1	RIBBED FITTING SOCKET 1' 26X34	€ 6,85	
2	2 WAY VALVE 1/4 FF26X34 BRASS S/S.	€ 12,89	
3	SKIN FITTING WITH STRAINER 1 INCH	€ 25,44	
4	SALT WATER FILTER 1' VETUS 330	€ 86,00	
5	ANTISIPHON INTAKE V D13/19/25/32	€ 34,84	
6	PLASTIC WATER MUFFLER 14.5L	€ 81,33	
7	EXHAUST PPIPE D77 L 0.50	€ 16,85	
8	EXHAUST PPIPE D77 L 5.30	€ 142,90	
9	WIRE 100 L 6.50 HELIFLEX	€ 42,99	
10	WIRE 100 L 5.90 HELIFLEX	€ 39,00	
11	EXTRACTOR	€ 51,54	
12	AIRSHAFT D100	€ 5,84	
13	EXHAUST SKIN FITTING D76	€ 14,76	
14	EXHAUST OUTLET	€ 87,12	
15	INSULATED HONEY-COMBBE FOAM THICK.20MM	€ 76,73	



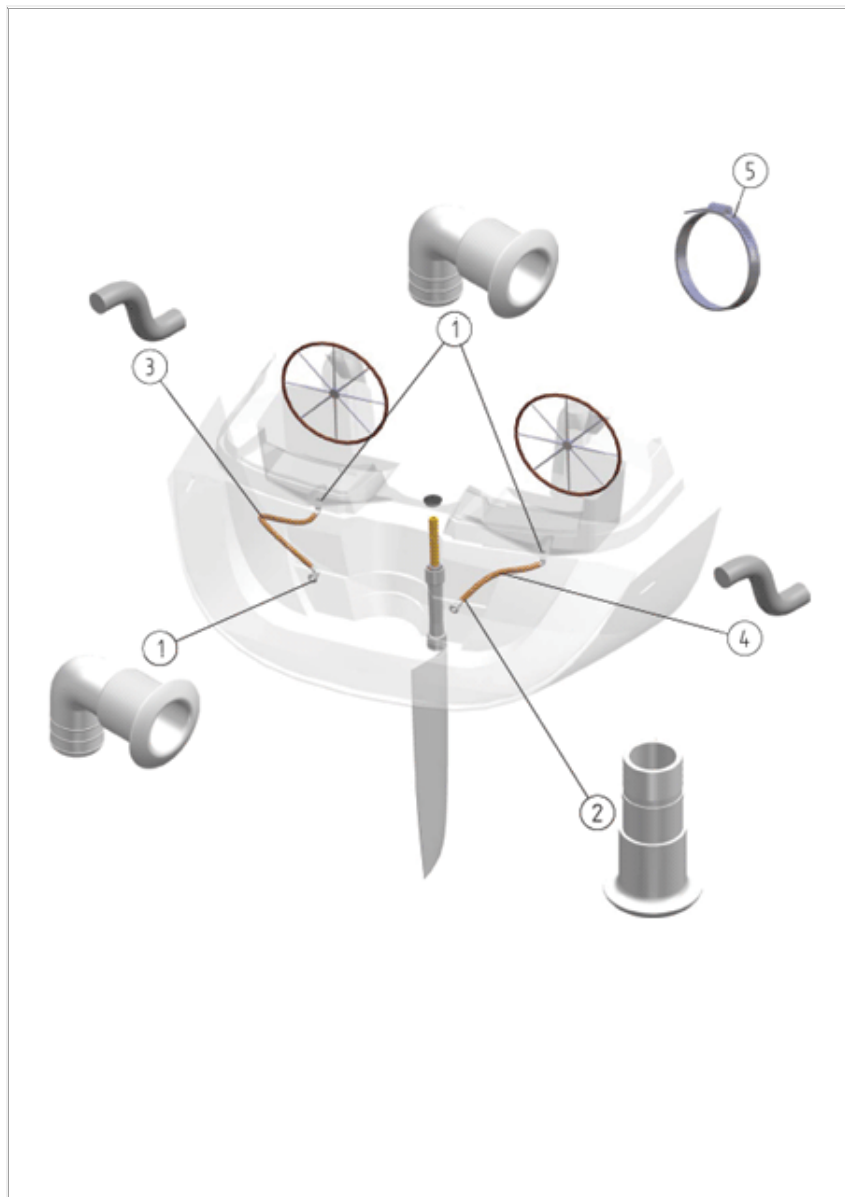
No.	SO42D00044a	Price ex VAT	
1	ELASTOMER RING D115/75X10	€ 62,19	
2	RUDDER STOCK BEARING D60	€ 68,77	
5	HUB WITHOUT BRAKE 11DTS	€ 217,06	
6	RUDDER	€ 259,60	
7	BED PLATE & SHEAVES ASSEMBLIES	€ 61,18	
9	COVERED STEERING WHEEL DIA 815	€ 412,00	
10	O-RING 3,53 X 59,92	€ 6,65	
11	ST.ST.STOP / RUDDER STOCK	€ 117,76	
12	STAINL.STEEL SHEER CONNEC	€ 19,81	
13	BUTEE SAFRAN SO400/SO40D	€ 13,59	
14	TILLER EMERGENCY SO38/42	€ 87,18	
15	INOX DECK FILLER	€ 42,90	
16	RUDDER STOP	€ 12,12	



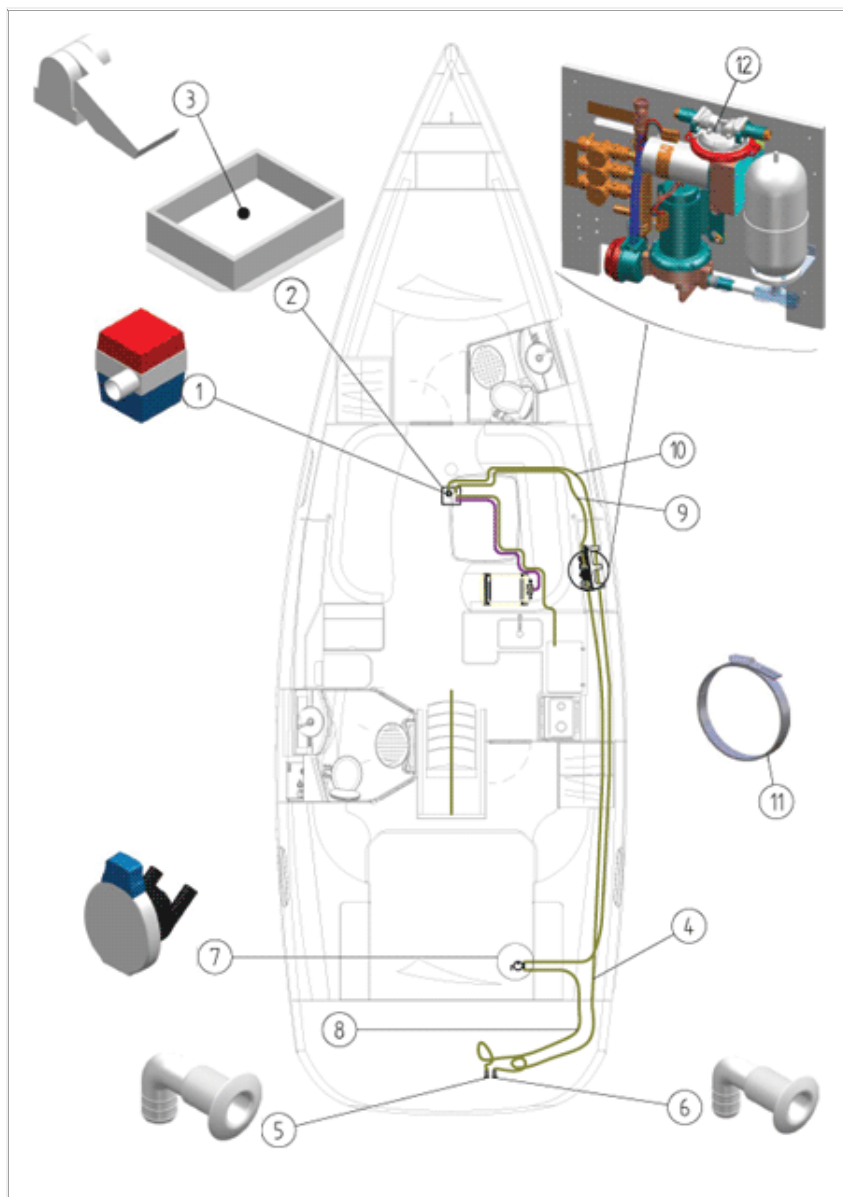
No.		Price ex VAT	
3	STEERING CABLES	€ 104,44	
4	STEERING GEAR CHAIN	€ 38,74	
8	ROSSE/GOUV. MOYEU SO42D	€ 104,44	
9	COVERED STEERING WHEEL DIA 815	€ 412,00	



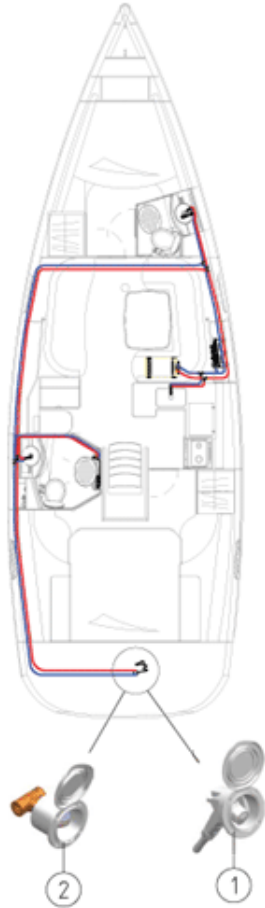
No.	SO42D00045a	Price ex VAT	
1	QUILLE SO42/42D GTE	€7.825,19	
2	QUILLE SO42/42D PTE	€8.240,17	
3	RONDELLE AZ D22 BIC	€0,47	
4	STEEL NUT	€2,42	
5	C/P LEST D26 EP12 ENTR.140	€31,68	
6	C/P LEST D26 EP12 ENTR.110	€29,43	
7	C/P LEST D26 EP12 ENTR.90	€27,81	
8	C/P LEST D26 EP12 AXE BAT.	€19,38	



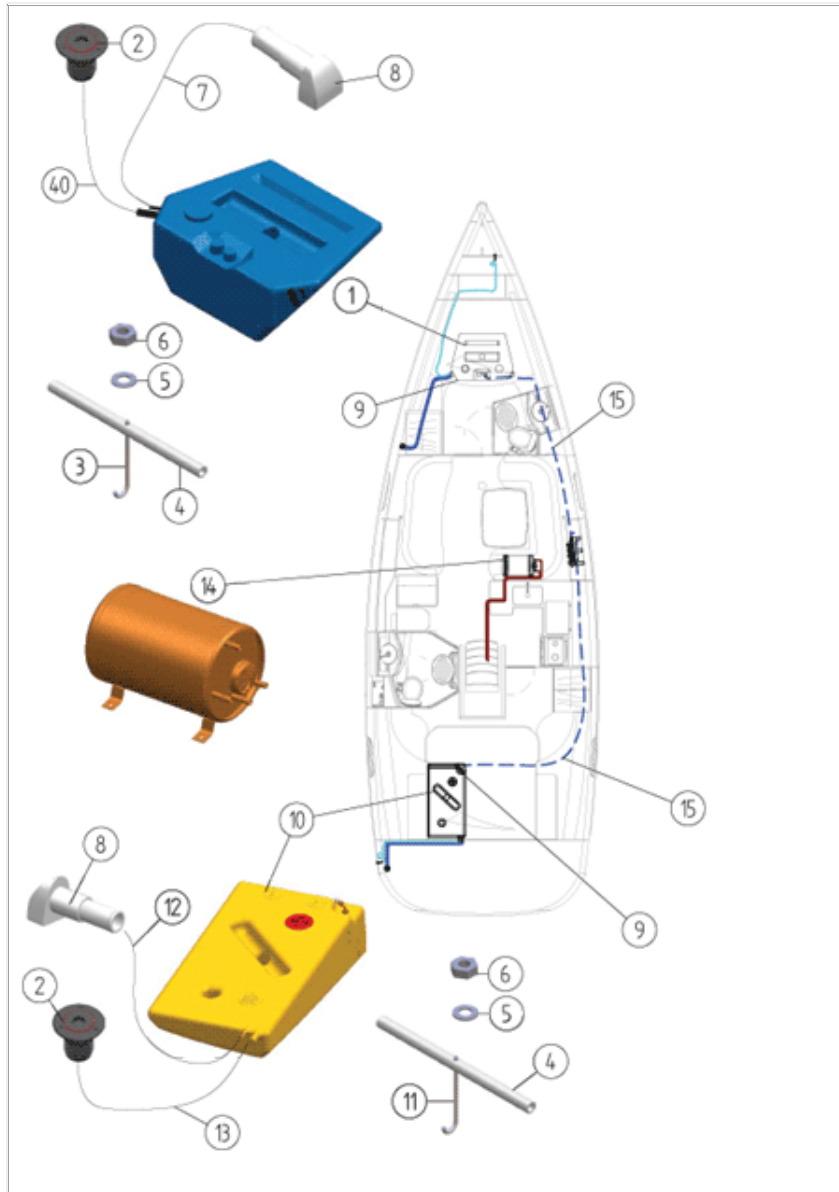
No.	SO42D00050a	Price ex VAT	
1	PLASTIC HULL OUTLET D38 + FLUTED BEND	€ 8,45	
2	PLASTIC HULL OUTLET	€ 7,05	
3	TRANSLUCID PVC TUBE 35 L 1.30	€ 8,20	
4	TRANSLUCID PVC TUBE 35 L 0.75	€ 4,71	
5	CLAMPING COLLAR	€ 1,61	



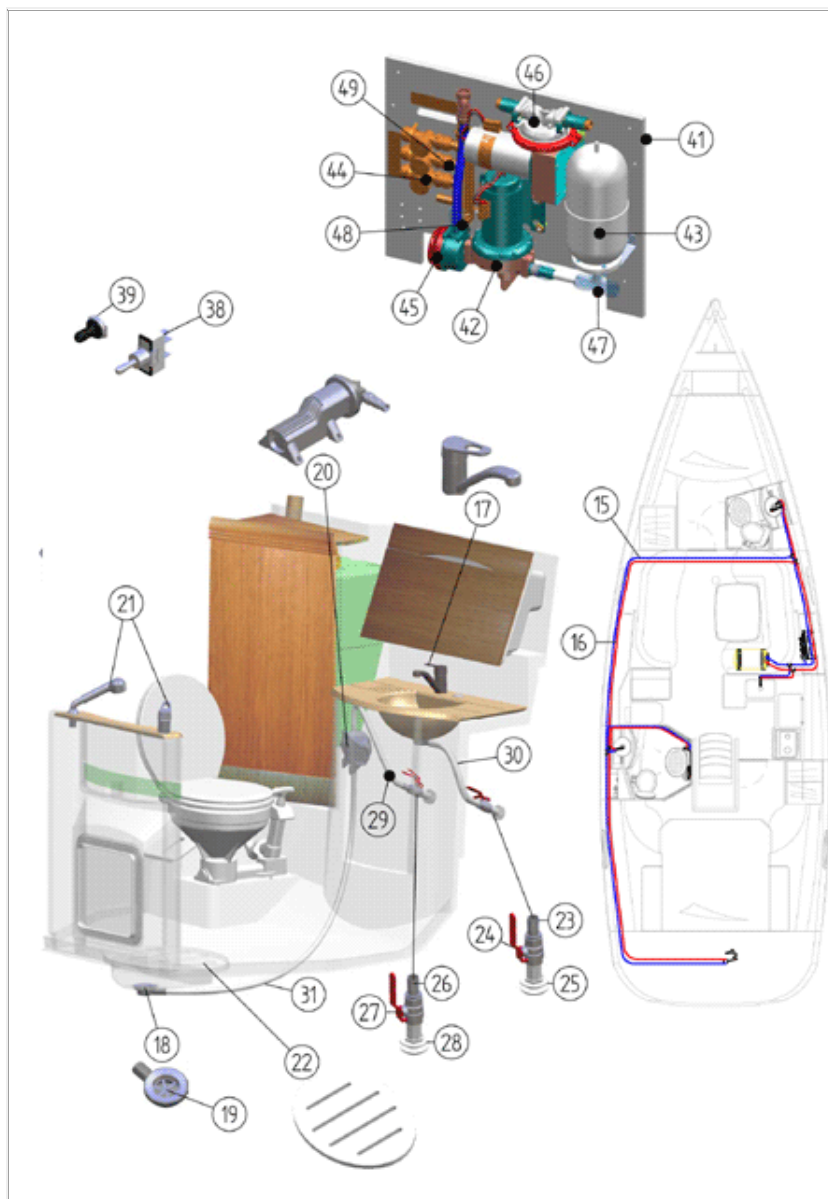
No.	SO42D00051a	Price ex VAT	
1	LOT DE 12	€ 97,89	
2	ST.ST.STRAINER/BILGE PUMP	€ 136,98	
3	DECLENCHEUR AUTO.A MERCURE	€ 38,54	
4	TRANSLUCID PVC TUBE L 8.70	€ 20,16	
5	PLASTIC HULL OUTLET BENDED D25	€ 9,35	
6	PLASTIC HULL OUTLET BENDED D20	€ 3,69	
7	MANUAL BILGE PUMP D25	€ 67,56	
8	TRANSLUCID PVC TUBE L 3.50	€ 13,08	
9	TRANSLUCID PVC TUBE L 4.10	€ 12,17	
10	TRANSLUCID PVC TUBE L11.00	€ 29,25	
11	CLAMPING COLLAR	€ 1,61	
12	ELECTRIC BILGE PUMP	€ 154,02	







No.		Price ex VAT	
1a	SHOWER BOX + SHOWER + HOSE	€ 33,15	
1b	PLASTIMO SHOWER POMMEL/059869	€ 5,56	
2	BOITIER MITIGEUR DCHETTE PONT	€ 72,58	

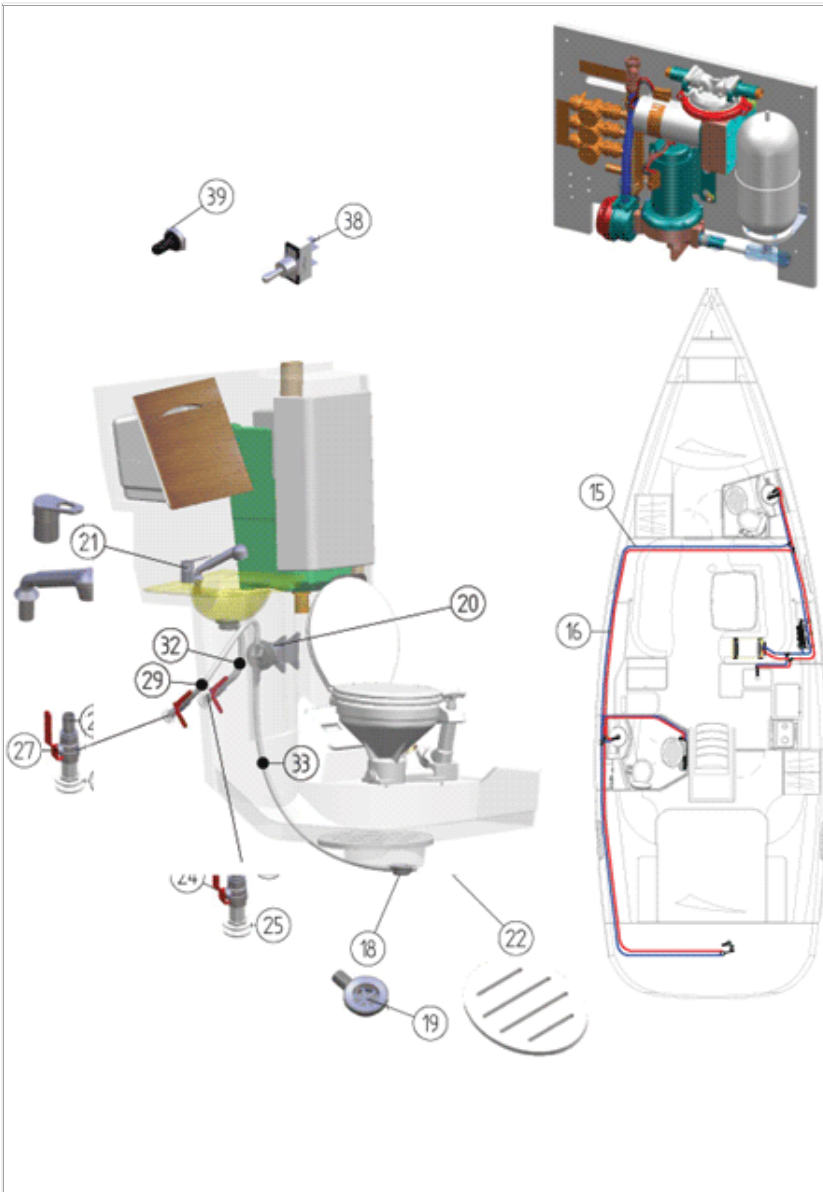


No.	SO42D00053a	Price ex VAT	
1	RES.EAU ROTO.200L AV4	€ 414,57	
2	PLASTIC DECK BUNG 'WATER	€ 18,50	
3	TANK TIE ROD L480	€ 32,87	
4	ALU TUBE D30X4 L480 +HOLE D12	€ 11,55	
5	S/S WASHER DIA 10	€ 0,24	
6	S/S LOCKING NUT DIA 10	€ 0,40	
7	VENT SPIRAL REINF. HOSE	€ 15,09	
8	PLASTIC VENT WHITE D15	€ 2,39	
9	GAUGE WATER 5P SCHEIBER	€ 29,30	
10	RES.EAU ROTO.155L EQ.EL.5P	€ 303,34	
11	TANK TIE ROD L210	€ 27,04	
12	VENT SPIRAL REINF. HOSE	€ 11,97	
13	TRANSLUCID PVC TUBE 35 L 2.50	€ 14,25	
14	WATER HEATER 220V 40L QUICK CYL.	<i>by request</i>	
15	CRISTAL HOSE 12X19 BLUE	€ 3,38	
40	TRANSLUCID PVC TUBE 35 L 3.00	€ 15,23	

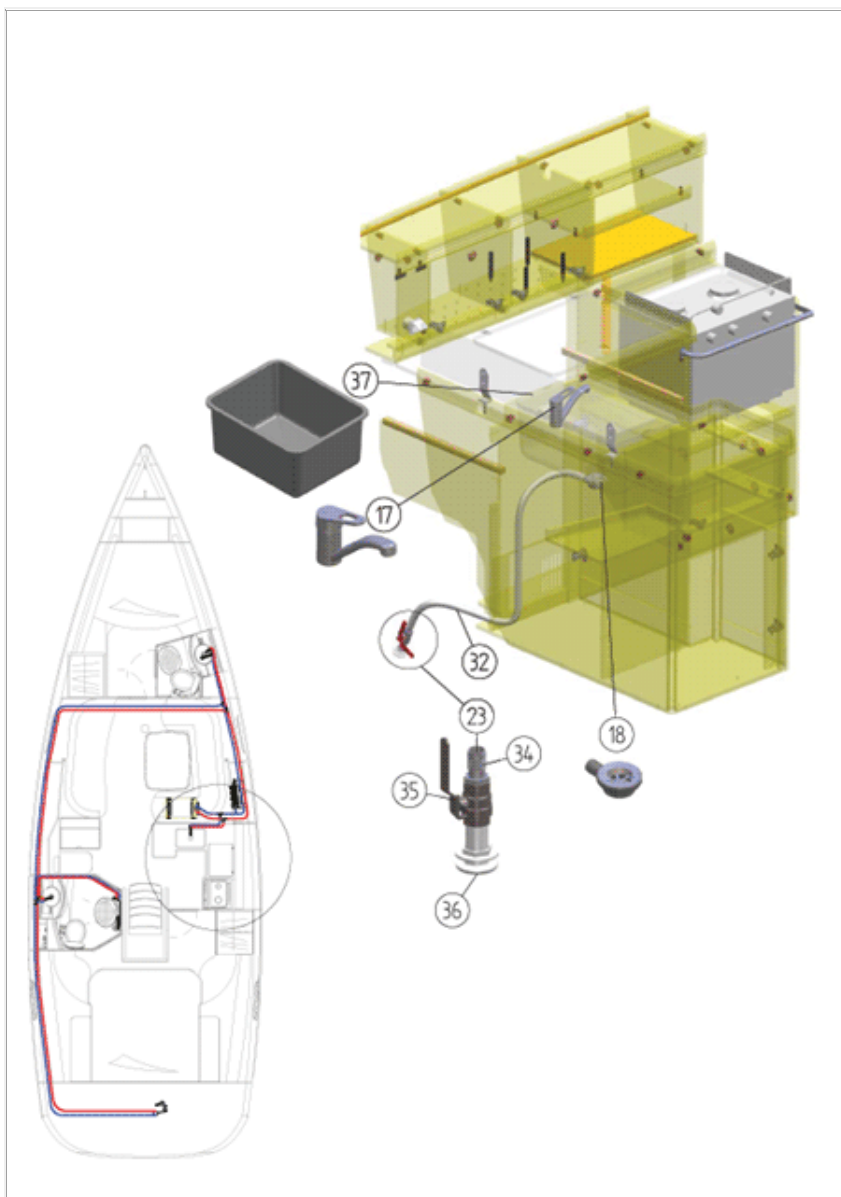


No.	SO42D00053b	Price ex VAT	
15	CRISTAL HOSE 12X19 BLUE	€ 3,38	
16	CRISTAL HOSE 12X20	€ 2,86	
17	CHROMED WASHBASIN MIXING	€ 67,81	
18	SINK BUNG D25 GROOVED	€ 15,40	
19	PLATINE BOND. EVAC. SE SO362	€ 15,77	
20	SHOWER PUMP 12V 15L/MN	€ 134,80	
21	MITIGEUR LAVABO/DOUCHE CR.	€ 128,00	
22	WP DC1 CAILLEBOTIS SE	by request	
23	RIBBED FITTING SOCKET 1' 26X34	€ 6,85	
24	2 WAY VALVE 1/4 FF26X34 BRASS S/S.	€ 13,28	
25	HULL OUTLET	€ 31,95	
26	RIBBED FITTING SOCKET	€ 4,10	
27	VALVE BALL 1/4 T 20X27 BR W/ S/S HANDLE	€ 8,95	
28	HULL OUTLET	€ 24,10	
29	TRANSLUCID PVC TUBE L 0.70	€ 2,76	
30	WHITE PVC TUBE 25 L 1.00	€ 6,68	
31	TRANSLUCID PVC TUBE L 2.50	€ 8,25	
38	SINGLE POLE SWITCH	€ 5,50	
39	WATERTIGHT CAP+WASHER	€ 2,45	
41	BOARD PLUMBING	€ 447,50	
42	ELECTRIC PUMP 12V 13L/MN JOHNS. 28PSI	€ 96,00	
43	PRESSURE REGULATING EXPEN	€ 62,97	
44	TAP 1/4	€ 16,94	
45	WATER FILTER	€ 10,55	

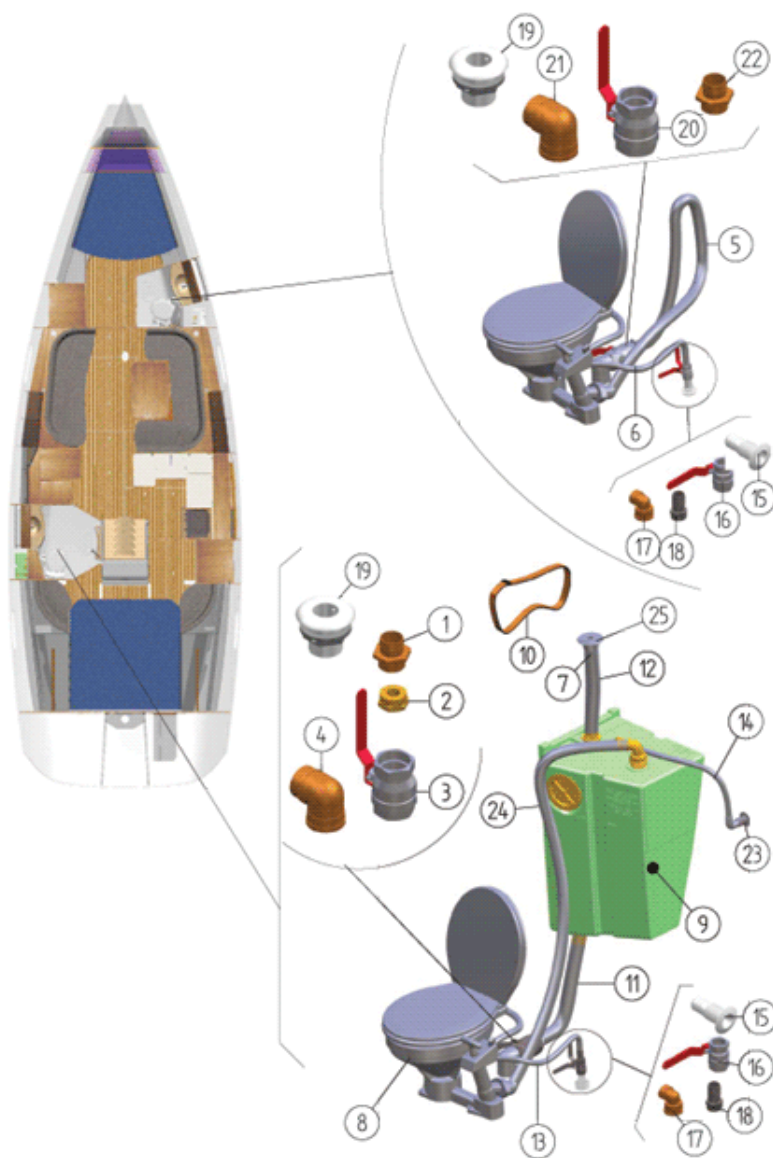
	46	ELECTRIC BILGE PUMP	€ 154,02	
	47	EQUAL TEE	€ 8,29	
	48	STEM TO STEM CHECK VALVE	€ 3,95	
	49	STACKABLE TEE	€ 9,40	



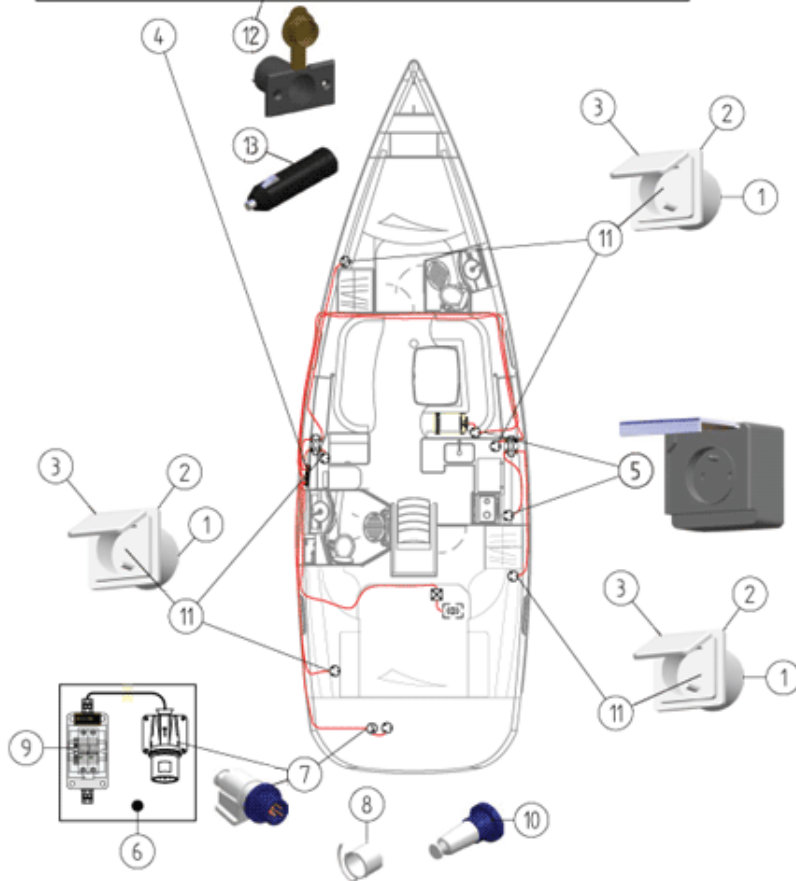
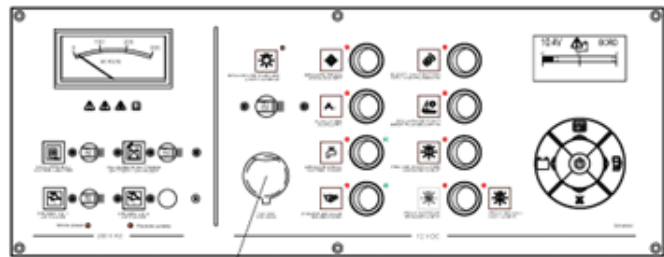
No.	SO42D00053c	Price ex VAT	
15	CRISTAL HOSE 12X19 BLUE	€ 3,38	
16	CRISTAL HOSE 12X20 RED	€ 2,86	
17	CHROMED WASHBASIN MIXING	€ 67,81	
18	SINK BUNG D25 GROOVED	€ 15,40	
19	PLATINE BOND. EVAC. SE SO362	€ 15,77	
20	SHOWER PUMP 12V 15L/MN	€ 134,80	
21	MITIGEUR LAVABO/DOUCHE CR.	€ 128,00	
22	WP DC1 CAILLEBOTIS SE	by request	
23	RIBBED FITTING SOCKET 1' 26X34	€ 6,85	
24	2 WAY VALVE 1/4 FF26X34 BRASS S/S.	€ 13,28	
25	HULL OUTLET	€ 31,95	
26	RIBBED FITTING SOCKET	€ 4,10	
27	VALVE BALL 1/4 T 20X27 BR W/ S/S HANDLE	€ 8,95	
28	HULL OUTLET	€ 24,10	
32a	TRANSLUCID PVC TUBE L 0.30	€ 1,48	
32b	TRANSLUCID PVC TUBE L 1.30	€ 5,39	
33	TRANSLUCID PVC TUBE L 1.50	€ 4,94	



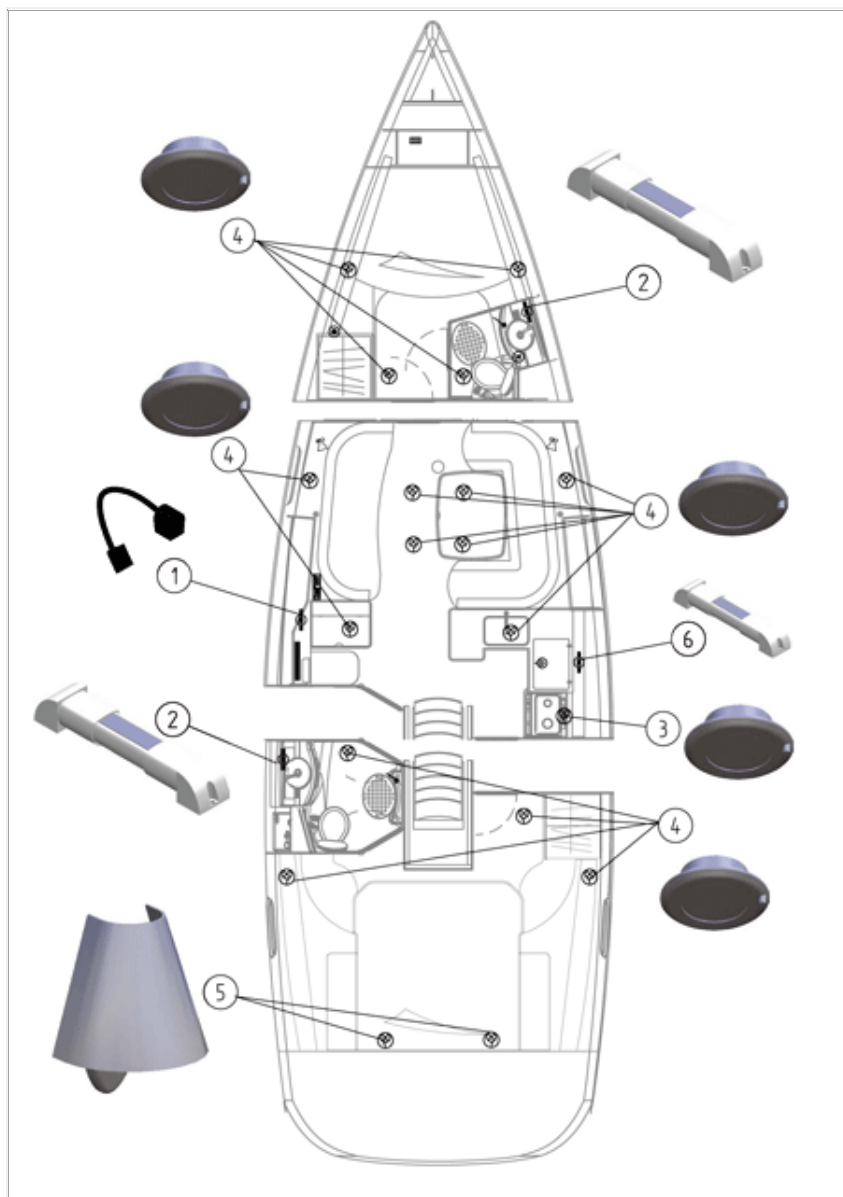
No.	SO42D00053d	Price ex VAT	
17	CHROMED WASHBASIN MIXING	€ 67,81	
18	SINK BUNG D25 GROOVED	€ 15,40	
23	RIBBED FITTING SOCKET 1' 26X34	€ 6,85	
24	2 WAY VALVE 1/4 FF26X34 BRASS S/S.	€ 13,28	
32a	TRANSLUCID PVC TUBE L 0.30	€ 1,48	
32b	TRANSLUCID PVC TUBE L 1.30	€ 5,39	
34	BRASS REDUCER	€ 9,54	
35	2 WAY VALVE 1/4 FF 33X42 BRASS S/S.	€ 21,52	
36	HULL OUTLET	€ 32,35	
37	S/S DOUBLE SINK 580X325X150(MAT)	€ 267,30	



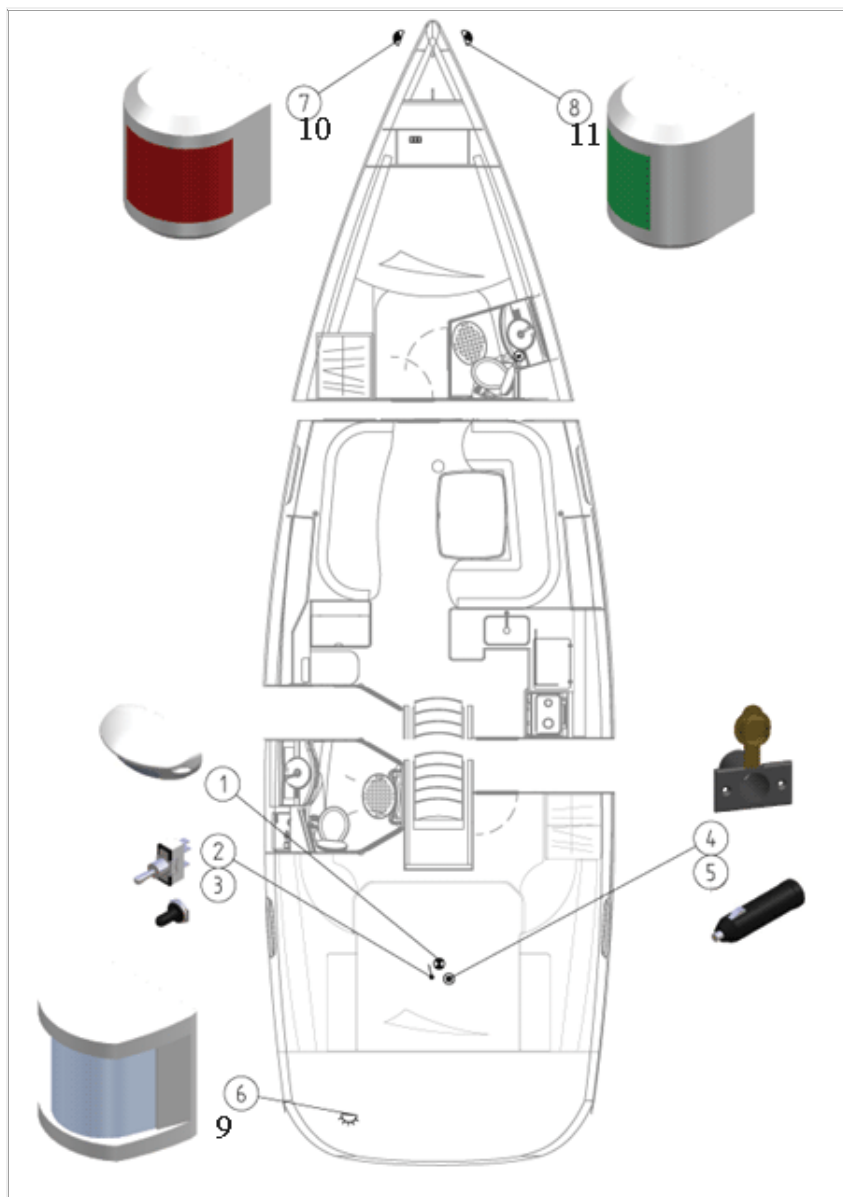
No.	SO42D00054a	Price ex VAT	
1	RIBBET FITTING SOCKET	€ 22,72	
2	BRASS CONNECTOR	€ 23,29	
3	2 WAY VALVE 1/4T FF 50X60 BRASS DA	€ 42,00	
4	BRASS COUPLING 90°ELBOW MF 50X60	€ 44,52	
5	WHITE PVC TUBE 40 L 3.40	€ 23,43	
6	TRANSLUCID PVC TUBE L 3.60	€ 10,71	
7	NEOPRENE SLEEVE	€ 1,41	
8	WC MARIN CUVET.LARG.RIGH.NEWN1	€ 240,90	
9	RES.D.ORG. 85L ROTO (CE)	€ 193,26	
10	STRAP L 800+BUCKLE+EYE PLATE NM	€ 7,50	
11	WHITE PVC TUBE 50 L 0.50	€ 8,31	
12	WHITE PVC TUBE 50 L 0.15	€ 2,69	
13	TRANSLUCID PVC TUBE L 2.50	€ 8,25	
14	WHITE PVC TUBE 25 L 1.00	€ 6,68	
15	HULL OUTLET	€ 24,10	
16	VALVE BALL 1/4 T 20X27 BR W/ S/S HANDLE	€ 8,95	
17	ELBOW STREET 90° BRASS MF 20X27	€ 4,29	
18	RIBBED FITTING SOCKET	€ 4,10	
19	BRONZE SKIN FITTING 50X60	€ 20,24	
20	2 WAY VALVE 1/4T FF 50X60 BRASS DA	€ 42,00	
21	BRASS COUPLING 90°ELBOW MF 50X60	€ 44,52	
22	RAC.DRT CANN.SOFOMARIN M2' D50	€ 13,44	
23	PLASTIC HULL OUTLET BENDED D25	€ 9,35	
24	WHITE PVC TUBE 40 L 1.50	€ 14,56	



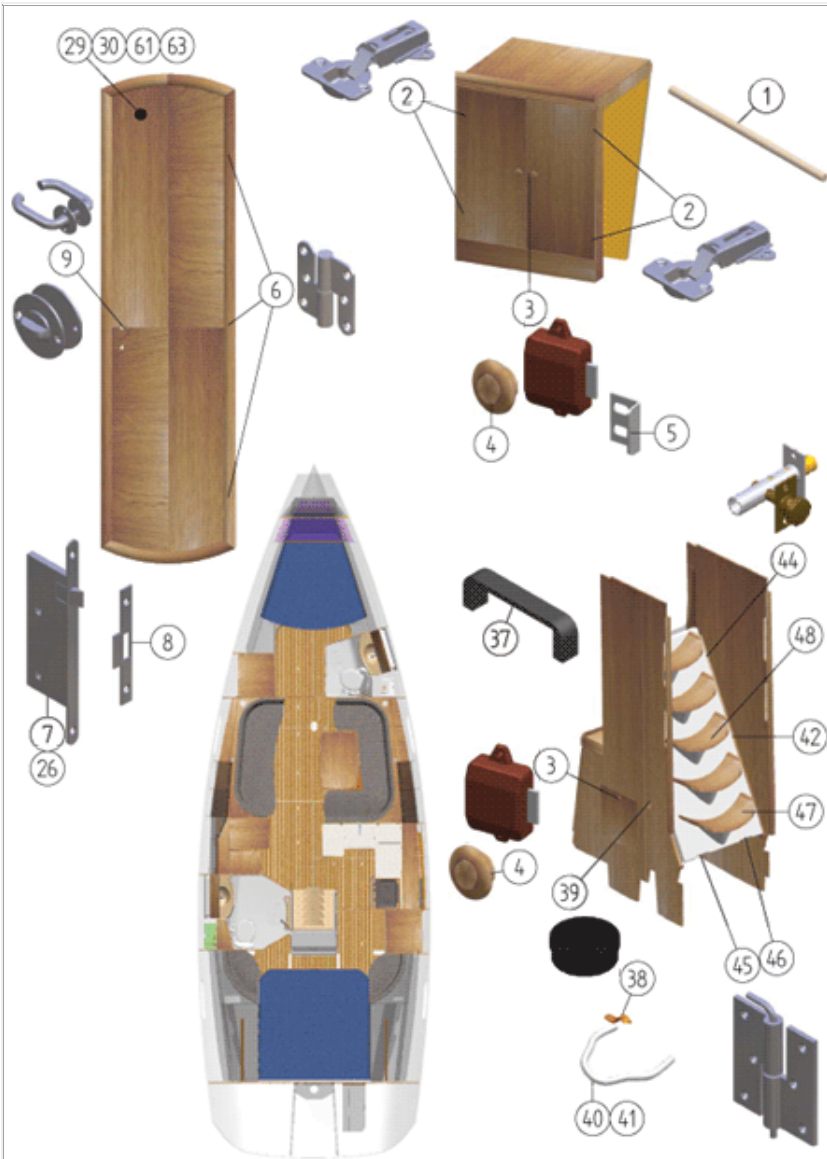
No.	SO42D00061a	Price ex VAT	
1	MSA WHITE OUTLET COVER 220V	€ 2,84	
2	EL.SOCKET BLACK FRAME	€ 0,55	
3	COVERCKET BLACK COVER	€ 1,15	
4	ELECTRIC PANEL	€ 1.109,01	
5	PLUG EL.2PL+GRND 230V PLEXO 55	€ 13,86	
6	TABL.PRISE.QUAI 16A 220V SO42D	<i>by request</i>	
7	WATERTIGHT ELECTRIC PLUG	€ 23,36	
8	COVER OF GEWISS PLUG 16A	€ 4,84	
9	COFFRET+DISJ DIFF.0,03 BIP 16A	€ 125,10	
10	WATERTIGHT ELECTRIC PLUG+PLUG	€ 21,40	
11	EL.SOCKET 2P+G FRENCH BLACK	€ 10,76	
12	PLUG 12V	€ 6,48	
13	MALE PLUG 12V	€ 4,52	






No.	SO42D00063a	Price ex VAT	
1	CHART TABLE LAMP+FLEX.L550	€ 50,45	
2	LIGHT BAR INDIRECT 12V 10W	€ 27,55	
3	HALOGEN CEIL.LIGHT CHR.FIXING 2V5W	€ 36,50	
4	HALOGEN CEILING LIGHT SWITCH	€ 36,50	
5	BLACK PRISMA WALL LAMP	€ 49,79	
6	LIGHT BAR INDIRECT 12V 10W CR	€ 32,50	

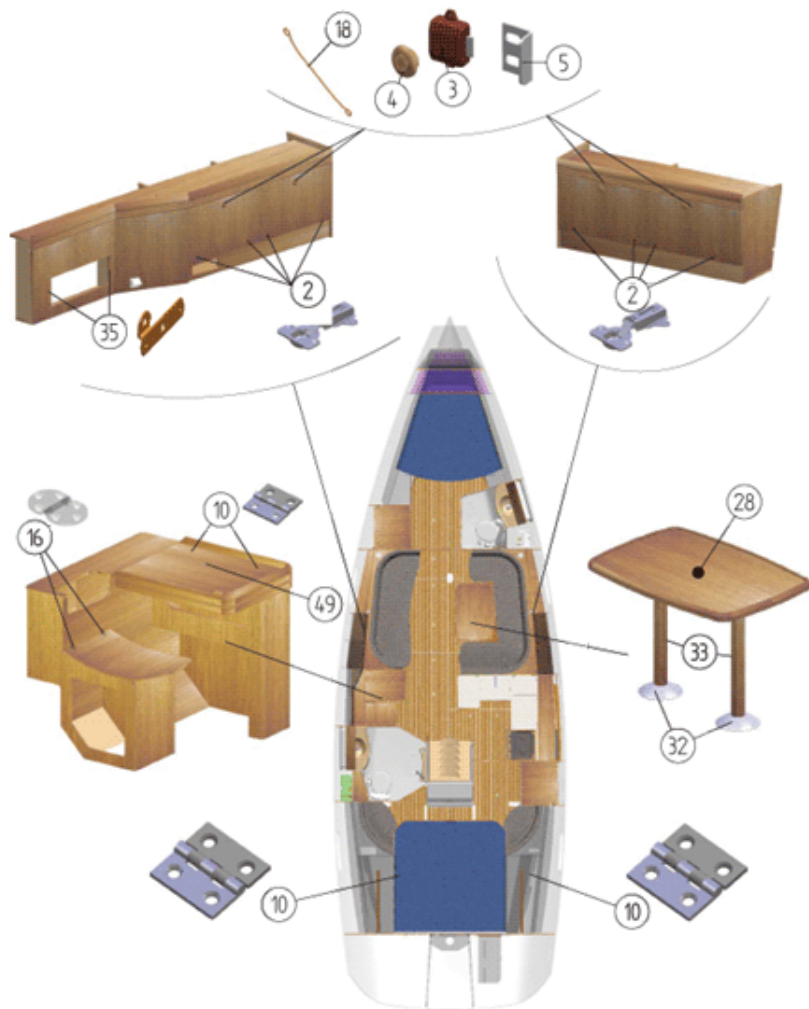


No.	SO42D00064a	Price ex VAT	
1	ECLAIR.TABLE COCKPIT INT050	€ 42,50	
2	2 POSITION SWITCH	€ 8,36	
3	WATERTIGHT CAP+WASHER	€ 2,45	
4	PLUG 12V	€ 6,48	
5	MALE PLUG 12V	€ 4,52	
6	WHITE STERN LIGHT 12V-10W	€ 38,54	
7	PORT RED NAVIGATION LIGHT 12V-25W WHITE	€ 38,54	
8	STBD GREEN NAVIG.LIGHT 12V-25W WHITE	€ 38,54	
9	WHITE STERN LIGHT 12V-10W	€ 38,54	
10	PORT RED NAVIGATION LIGHT 12V-25W WHITE	€ 38,54	
11	STBD GREEN NAVIG.LIGHT 12V-25W WHITE	€ 38,54	

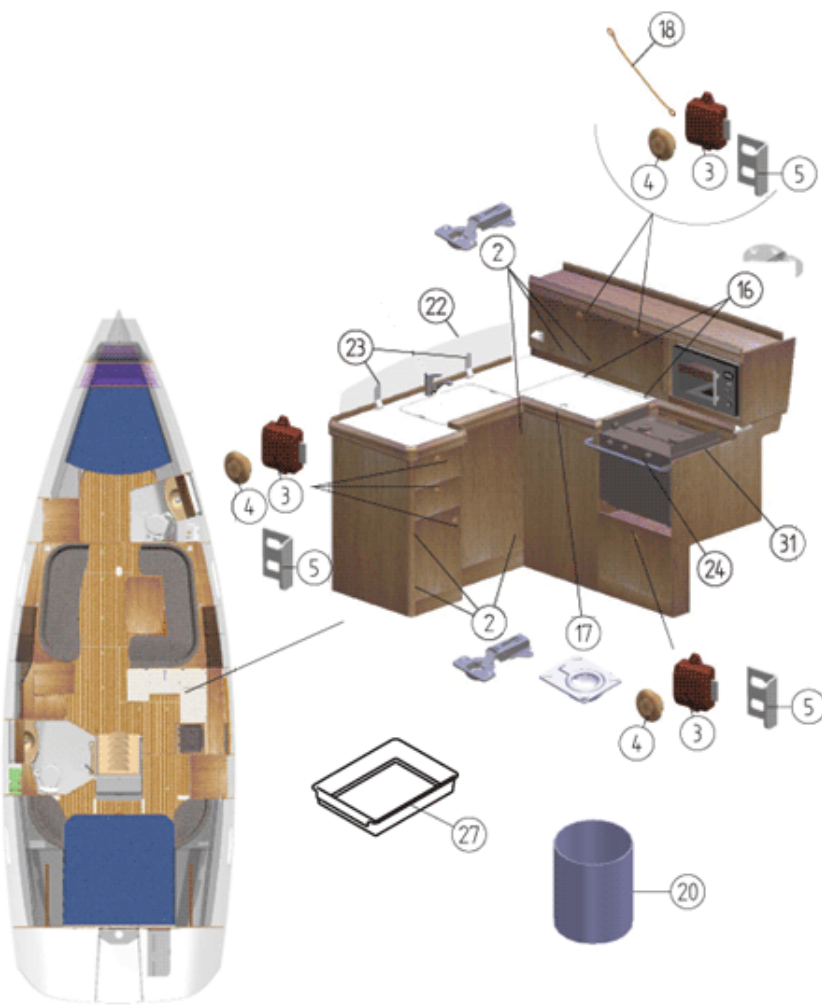


No.	SO42D00072a	Price ex VAT	
1	WOODEN STICK FOR WARDROBE L382	€ 6,23	
2	INVISIBLE ST.ST. HINGE	€ 16,50	
3	PUSH-LOCK	€ 3,20	
4	BOUTON+COLOR.MOABI TEINTE TECK	€ 7,92	
5	STRIKE	€ 0,60	
6	CHR.BRASS DOOR HINGE (RIGHT) 60X55X11	€ 12,48	
7	STANDARD LEFT LOCK	€ 31,44	
8	GACHE AVEC TALON CR. 9MM	€ 9,02	
9	JEU BEQUILLE LK D18+ROSACE	€ 80,10	
29	S/E PORTE 430 G	by request	
30	S/E PORTE 430 D	by request	
37	BLACK HANDLE	€ 5,25	
38	S/S PAD-EYE 113X25	€ 1,15	
39	TUBE LOVER	€ 2,60	
40	WHITE NYLON ROPE D04	€ 0,30	
41	WHITE NYLON BRAID D6	€ 0,94	
42	POLYESTER LADDER SO42D M08	by request	
43	POLYESTER LASSER FRAME SO42D M08	by request	
44	CHROMED SPRING BOLT	€ 11,10	
45	PAUMELLE LAIT.CR.D BROCHE	€ 37,10	
46	PAUMELLE LAIT.CR.G BROCHE	€ 37,10	
47	ANTISKID TAPE	€ 5,25	

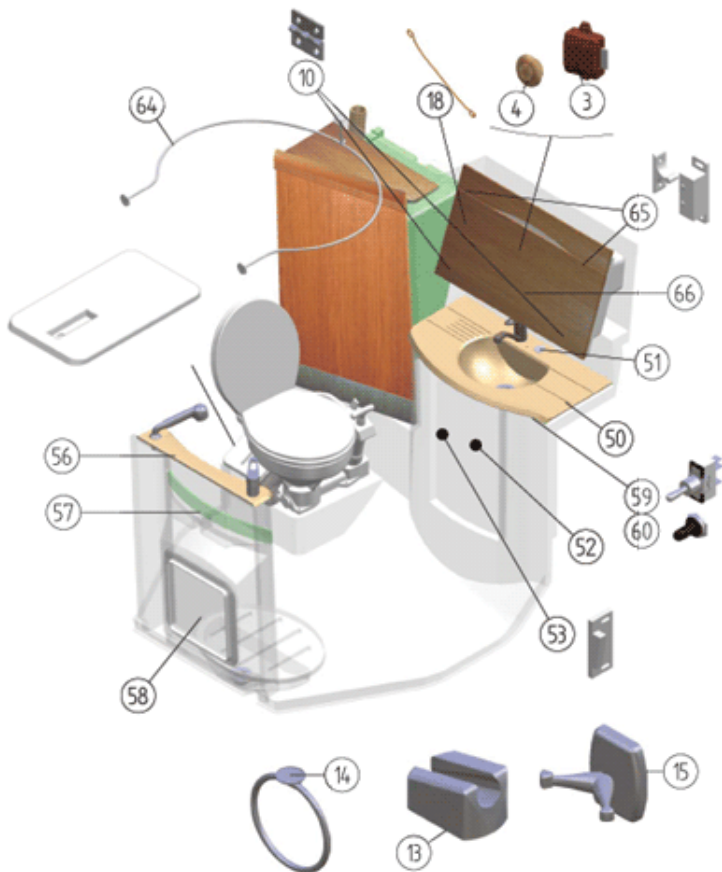
	48	STEP IN MOABI 580/210/20	€ 178,08	
	61	S/E PORTE 390 G	<i>by request</i>	
	63	S/E PORTE 390 D	<i>by request</i>	





No.	SO42D00072b	Price ex VAT	
2	2 POSITION SWITCH	€ 8,36	
3	WATERTIGHT CAP+WASHER	€ 2,45	
4	PLUG 12V	€ 6,48	
5	MALE PLUG 12V	€ 4,52	
10	BRUSHED COPPER HINGE	€ 4,88	
16	CHROMED BRASS HINGE 47X30	€ 5,65	
18	FLAP HOLDER	€ 5,85	
28	S/E TABLE CARRE DC1 (NOUVEAU)	€ 646,63	
32	TABLE SUPPORT D70	€ 51,77	
33	TABLE LEG WOOD H720 D70	€ 61,67	
35	LATCH S/S SPRING	€ 16,90	
49	WP DS TAC DESSUS	<i>by request</i>	

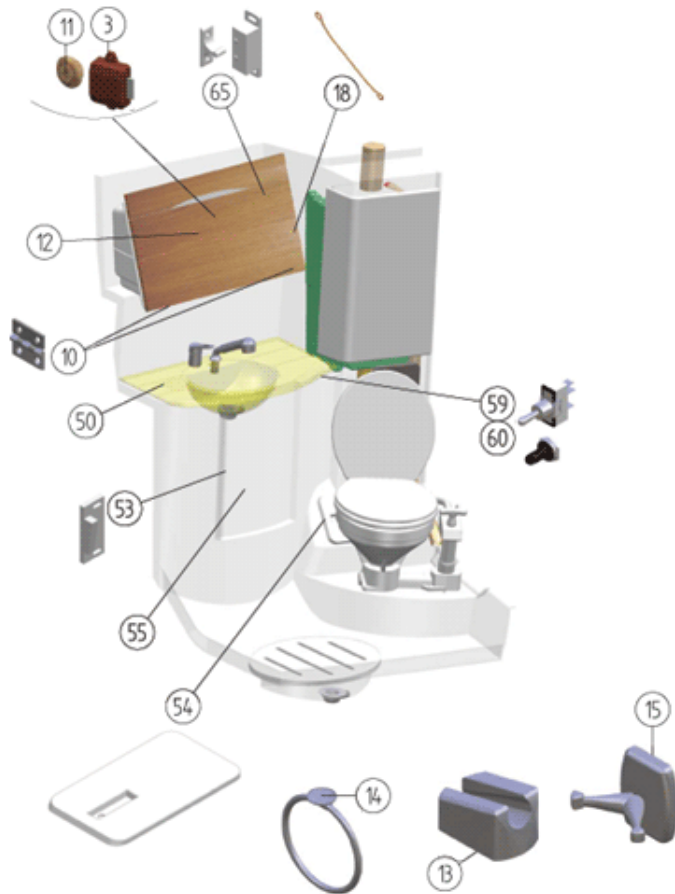


No.	SO42D00072c	Price ex VAT	
2	2 POSITION SWITCH	€ 8,36	
3	WATERTIGHT CAP+WASHER	€ 2,45	
4	PLUG 12V	€ 6,48	
5	MALE PLUG 12V	€ 4,52	
17	BASIN RING	€ 7,01	
20	WHITE DUSTBIN	€ 23,83	
22	VERRE SEPAR.CUISINE SO54D	€ 133,26	
23	SUPPORT PLEXI GALLEY SS SU43	€ 69,75	
24	S/S HANDRAIL L 560	€ 64,01	
27	PLAST.FORKS/KNIVES DRAWER 300X435X80	€ 15,09	

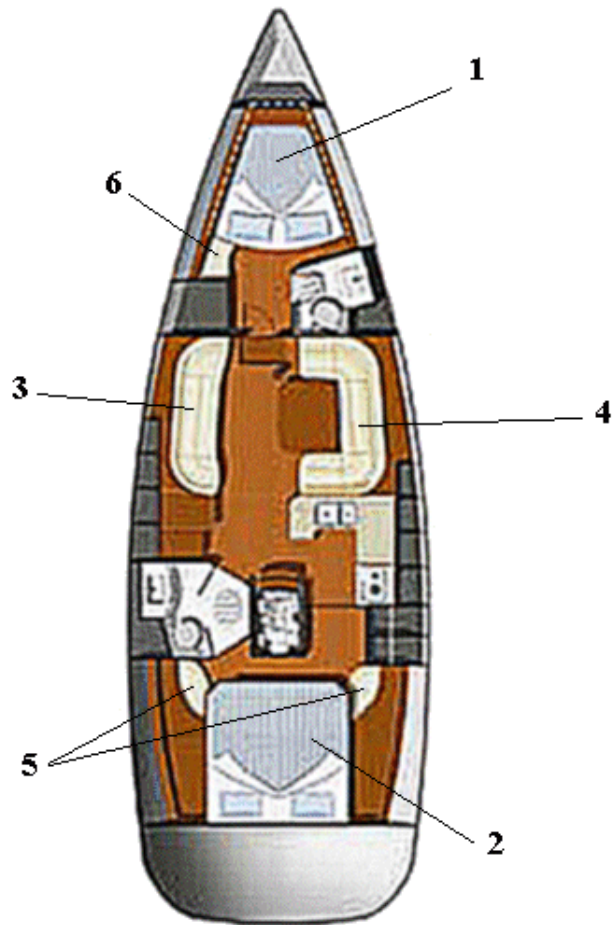


No.	SO42D00072d	Price ex VAT	
3	WATERTIGHT CAP+WASHER	€ 2,45	
4	PLUG 12V	€ 6,48	
10	BRUSHED COPPER HINGE	€ 4,88	
13	CHROMED SHOWER WALL FIXIN	€ 10,50	
14	TOWEL HOLDER RING	€ 32,05	
15	CHROMED HAT PEG	€ 8,15	
18	FLAP HOLDER	€ 5,85	
50	VASQUE RESINE SDB QUARTZ	€ 279,92	
51	CACHE TROU BIDET LAIT.CR.D43	by request	
52	HEAD DOOR ABS RIGHT	€ 131,20	
53	BOLT LATCH / FINGER GRIP	€ 1,30	
54	TRAPDOOR ACCESS RAPID 190X300 THERMO.	€ 73,30	
55	HEAD LOCKER DOOR 14511	€ 131,20	
56	SHELF QUARTZ	€ 204,53	
57	FIDDLE PLEXI	€ 30,10	
58	WHITE PLASTIC HATCH 38X38	€ 42,40	
59	SINGLE POLE SWITCH	€ 5,50	
60	WATERTIGHT CAP+WASHER	€ 2,45	
61	S/E PORTE 390 G	by request	
62	CHR.BRASS DOOR HINGE (RIGHT) 60X55X11	€ 12,48	
63	S/E PORTE 390 D	by request	
64	SHOWER CURTAIN ROD	€ 152,17	

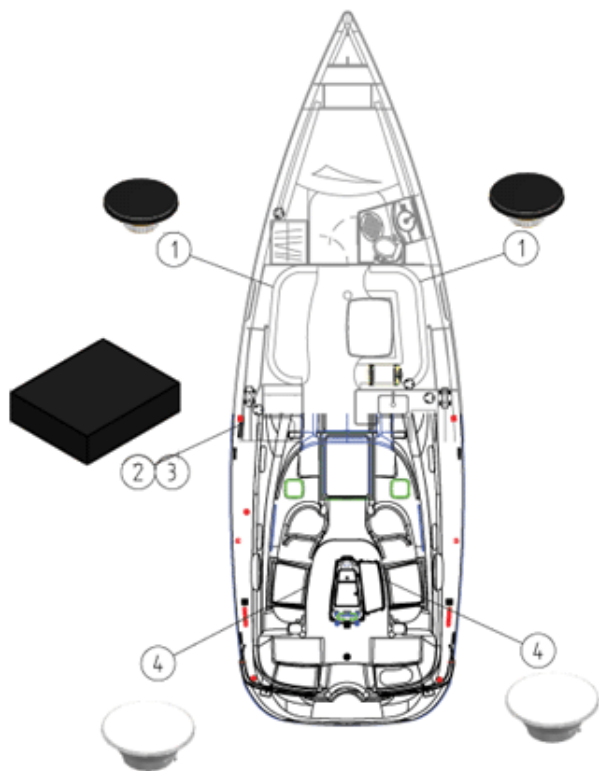
	65 SMALL WHITE PLASTIC CATCH	€ 5,75	
	66 MIRROR 758X330X4	€ 27,13	



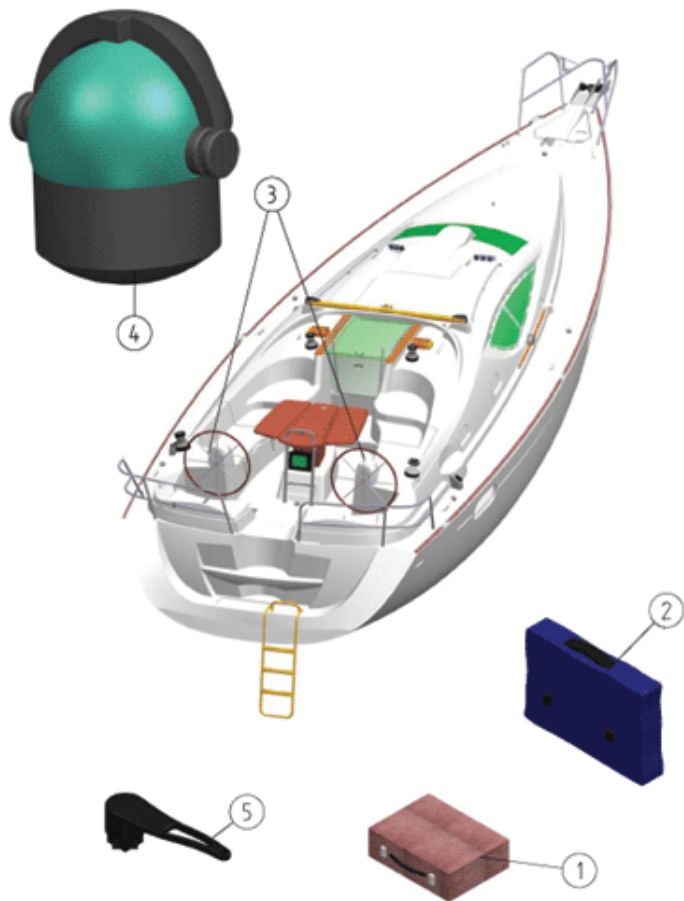
No.	SO42D00072e	Price ex VAT	
3	WATERTIGHT CAP+WASHER	€ 2,45	
10	BRUSHED COPPER HINGE	€ 4,88	
11	PUSH LOCK	€ 4,23	
12	POLYESTER DOOR OF LOCKER BATHROOM 3	by request	
13	CHROMED SHOWER WALL FIXIN	€ 10,50	
14	TOWEL HOLDER RING	€ 32,05	
15	CHROMED HAT PEG	€ 8,15	
18	FLAP HOLDER	€ 5,85	
50	VASQUE RESINE SDB QUARTZ	€ 279,92	
53	BOLT LATCH / FINGER GRIP	€ 1,30	
54	TRAPDOOR ACCESS RAPID 190X300 THERMO.	€ 73,30	
55	HEAD LOCKER DOOR 14511	€ 131,20	
59	SINGLE POLE SWITCH	€ 5,50	
60	WATERTIGHT CAP+WASHER	€ 2,45	
65	SMALL WHITE PLASTIC CATCH	€ 5,75	



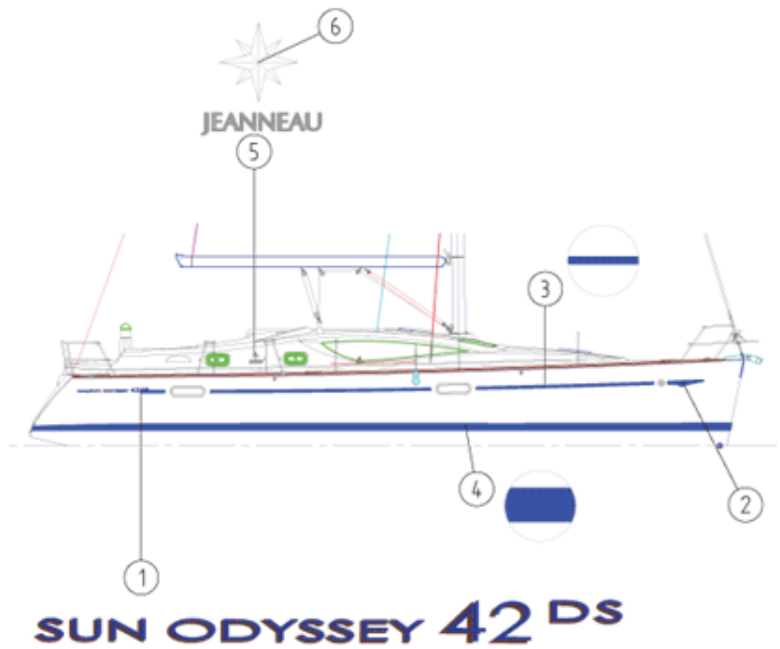
No.	SO42D00073a	Price ex VAT	
1	CUSHION DC1 FORWARD POINT2 CREAM	€ 359,52	
2	CUSHION DC1 OWNER BACK PREMIUM	€ 719,04	
3a	CUSHION DC1 CHART TABLE3 JAGUAR	€ 634,50	
3b	CUSHION DC1 NAV.TABLE3 CREAM	€ 790,94	
3c	CUSHION DC1 NAV.TABLE3 DENIM	€ 790,94	
3d	CUSHION DC1 SALOON2 AMARETTA	€ 287,61	
4a	CUSHION DC1 SALOON2 JAGUAR	€ 716,98	
4b	CUSHION DC1 SALOON2 CREAM	€ 179,76	
4c	CUSHION DC1 SALOON2 DENIM	€ 179,76	
4d	CUSHION DC1 SALOON2 AMARETTA	€ 287,61	
5a	CUSHION DC1 OWNER BACK SEAT JAGUAR	€ 522,62	
5b	CUSHION DC1 OWNER BACK SEAT CREAM	€ 790,94	
5c	CUSHION DC1 OWNER BACK SEAT DENIM	€ 790,94	
5d	CUSHION DC1 OWNER BACK SEAT AMARETTA	€ 1.438,08	
6a	CUSHION DC1 OWNER FRONT SEAT JAGUAR	€ 521,30	
6b	CUSHION DC1 OWNER FRONT SEAT CREAM	€ 539,28	
6c	CUSHION DC1 OWNER FRONT SEAT DENIM	€ 539,28	
6d	CUSHION DC1 OWNER FRONT SEAT AMARETTA	€ 898,80	








No.		Price ex VAT	
1	Speaker VDO D130 pair	€ 35,85	
2	TELESCOPIC RADIO AERAIL EL.SM	€ 29,43	
3	RADIO CD PLAYER SONY	€ 224,40	
4	HAUT PARL.ETANCHE NM	€ 54,75	



No.	SO42D00082a	Price ex VAT	
1	KIT ENTRETIEN N°3	€ 70,78	
2	SACOCHE PORTE DOCUMENT 2002	€ 18,15	
3	COMPASS SUPPORT	€ 47,95	
4	COMPASS / STEERING	€ 199,75	
5	TIGHTEN.SPANNER/WATER TANK DECK FILL.CAP	€ 5,05	



No.	SO42D00084a	Price ex VAT
1	MONOGRAM SO42I/42D PORT+STARB 2008	€ 86,28 
2	DECO.GLAIVE M08 L:555 BD+TD	€ 35,95 
3	DECO.BDE BLEU 19MM 2001	€ 1,30 
4	DECO.BDE BLEU 75MM 2001	€ 2,55 
5	LOGO ABS CHROME JEANNEAU	€ 12,49 
6	ETOILE RELIEF CHR JEAN.D.135MM	€ 7,10 